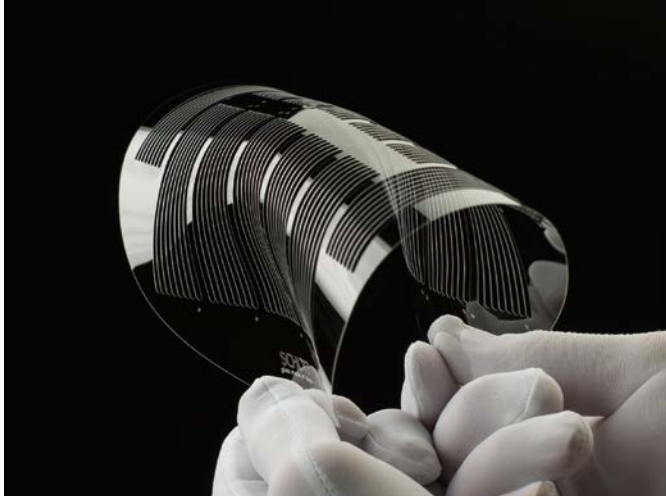


SCHOTT FLEXINITY® – Structured Glass Solutions

SCHOTT's innovative structuring portfolio for Thin Glass Wafer and Sheets

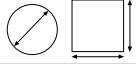
Product Information

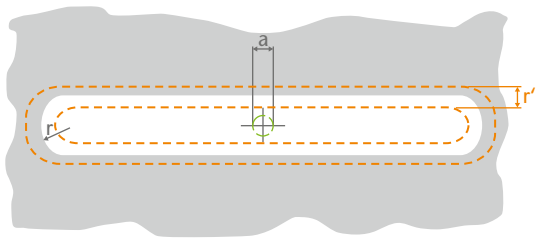
With FLEXINITY®, SCHOTT is introducing an innovative portfolio of structured glass substrates which offers highly accurate and versatile features. The availability of several glass materials in a wide range of thicknesses, enables SCHOTT to provide customized solutions for a vast variety of applications.



Available glass types and specifications for structured substrates below:

D263® Family	MEMpax®	AF 32® eco	BOROFLOAT® 33
--------------	---------	------------	---------------

Standard structuring capabilities*	
Thickness range (depending on glass type)	0.1 – 3.3 mm
Format	max. 600 mm in diameter 
Layout	Through structures according to customer specifications
Structuring radius (r)	≥ 100 µm
Feature size tolerance (r')	< 20 µm (equiv. ± 10 µm)
Wall taper angle	90° ± 0.5°
Edge exclusion zone	≥ 3 mm
Position tolerance of features (a)	< 20 µm (equiv. ± 10 µm)



*) limitations in feature design and demands deviating from these capabilities will be evaluated upon request

SCHOTT AG
 Hattenbergstrasse 10
 55122 Mainz
 Germany
 Phone +49 (0)6131/66-3572
 info.special-glass-wafer@schott.com
 www.schott.com/flexinity

