

# SCHOTT® HeliIntense

Strong and efficient LED light source



SCHOTT® HeliIntense

## Recommended Applications

Various spots in seats or monuments realized with one light source and SCHOTT® HeliFlex

Flat and slim shell mounted Reading Lights

Functional cabin lighting realized as spot or line lights

Homogeneous Moodlighting realized with SCHOTT® HeliLine

## Product Characteristics

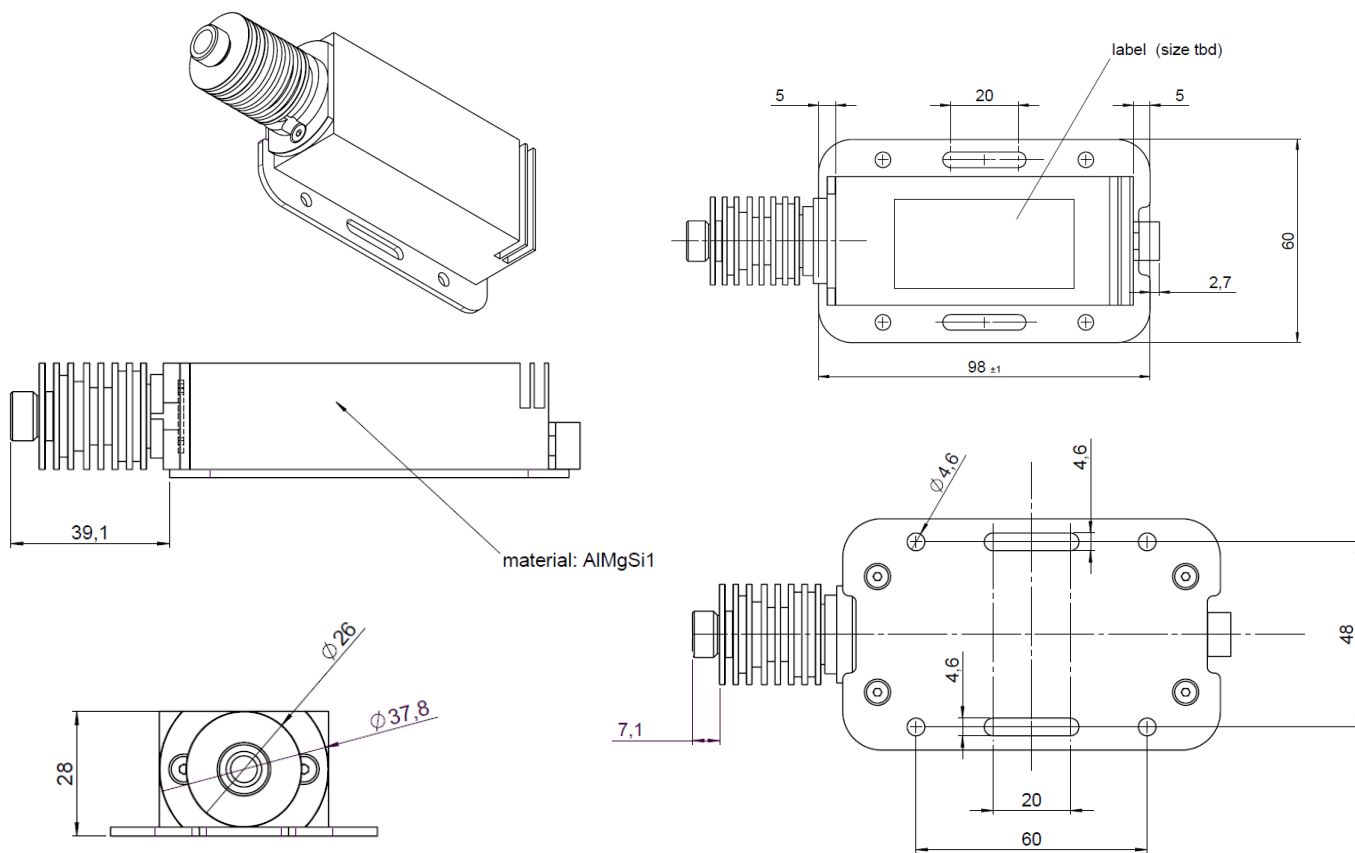
The SCHOTT® HeliIntense light source is an efficient and very strong LED light source that was developed specifically to combine SCHOTT's expertise in fiber optics with LED technology to provide customized and ultimate cabin lighting.

Compared to the SCHOTT® HeliBasic II, it can be controlled in different ways, what makes it suitable for any customer demand.

The SCHOTT® HeliIntense technology can either be used as LED light source or LED spot.

The technology is qualified for all major passenger aircraft.

Technical Specifications	
Power input	12 – 28 VDC, 28 VDC board voltage
Power consumption	max. 4.5 W
Control	<ul style="list-style-type: none"> <li>External switch</li> <li>RS485</li> <li>CAN (on request)</li> </ul>
Control features	On / Off / Dimming
Color	Standard: white (other single colors possible)
Address selection	Daisy chain concept
Max. weight	200 g



Existing Partnumbers	
Partnumber	Description
LI-20101100-000	approx. 4000 Kelvin, neutral white, for Reading Light

All specifications are subject to change without prior notice. This datasheet or any extracts thereof may only be used in other publications with express permission of SCHOTT. © SCHOTT AG

Lighting and Imaging  
**SCHOTT AG**  
Hattenbergstrasse 10  
55122 Mainz  
Germany  
Phone: +49 (0) 6131/66-7914  
Fax: +49 (0) 6131/66-7850  
lightingimaging@schott.com  
www.schott.com/lightingimaging

