

ColdVision Gooseneck Light Guides

for ColdVision light sources



Gooseneck light guides deliver incident illumination that remains in place after positioning. Generally used to highlight structures through shadows in space-constrained applications, these trusted light guides offer both flexibility and mechanical stability.

Features:

- Flex and stay light guides.
- Available with 1 or 2 branches.
- Available as chrome plated semi-obedient metal or black dekabon versions.
- Available as 2-branch Gooseneck plus flexible bundle (Combination Light Guide).
- Available as dual focusing gooseneck with permanently attached spot lenses.
- Focusing optics and filter accessories available.

Advantages:

- Mechanical stability enables long-term usability.
- Flexibility enables precise positioning for complete control of light placement.
- The Combination Light Guide can be stationary, fixed at the microscope post.
- Dual models illuminate a workspace with a single light source.
- Gooseneck legs placed in opposing positions create shadow-free illumination.

Single and Dual Goosenecks

Description	Part No.	Tubing	Distal Ferrule Diameter	Active Input Fiber Diameter	Tubing Diameter	Length
Single Gooseneck	A08400*	Chrome	.20" (5mm)	393" (10mm)	.47" (12mm)	18" (457mm)
	A08410*	Black				30" (762mm)
Dual Gooseneck	A08500	Chrome	.30" (8mm)	.21" (5mm)	.47" (12mm)	18" (457mm)
	A08575*	Black				23" (584mm)

Combination Goosenecks and Bundles

Description	Part No.	Active Input Fiber	Active Output Fiber Diameter	Tubing Diameter		Length	
				Bundle	Gooseneck	Bundle	Gooseneck
Combination Goosenecks and Bundles	A08520	.30" (8mm)	.21" (5mm)	47" (12mm)	.46" (12mm)	30" (762mm)	18" (457mm)
	A08520.60*					60" (1524mm)	

* Made-to-order products

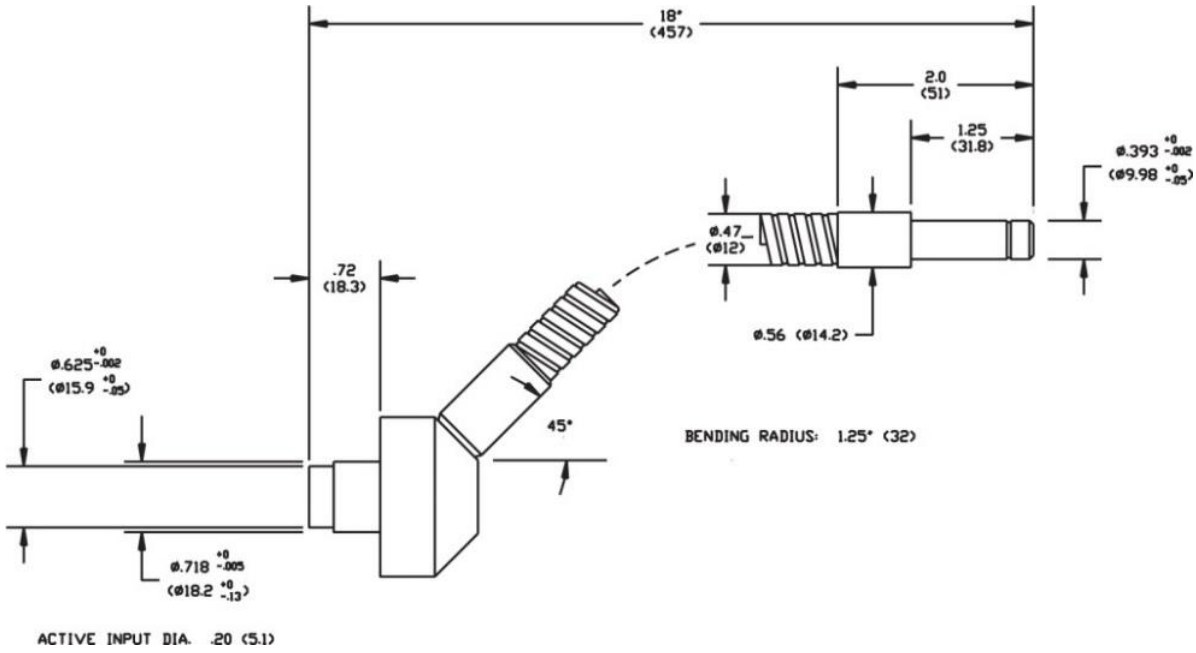
Custom configurations available. Compatible accessories available. See ColdVision-Accessories data sheet.

Warning : This product is manufactured with glass fiber. Not for use in cable/hose carrier. Call SCHOTT to discuss moving cable/hose carrier applications.

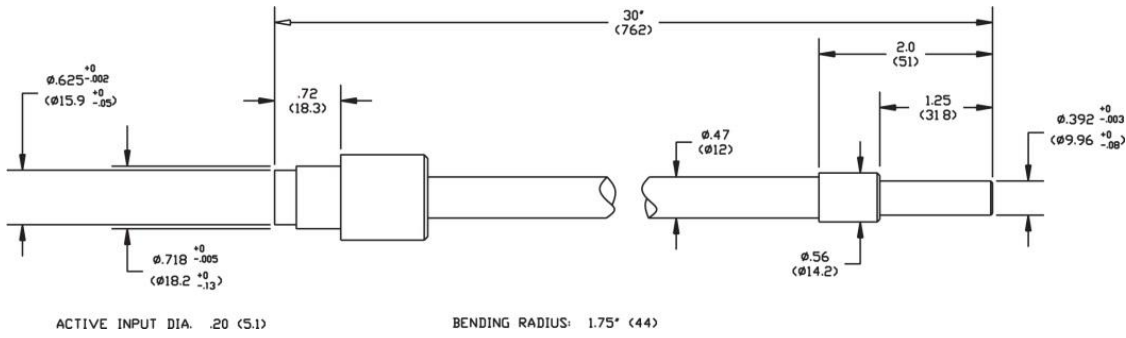
SCHOTT
glass made of ideas

Single Goosenecks: Dimensions

Dimensions in () are in mm



Single Gooseneck Chrome, A08400



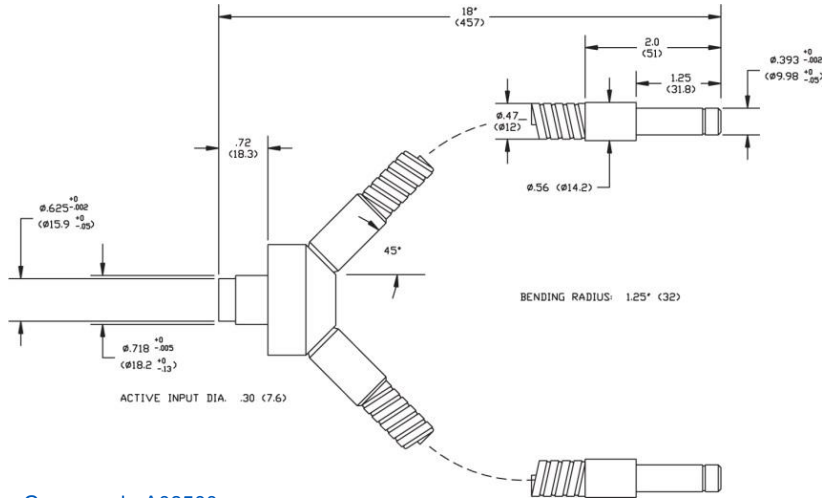
Single Gooseneck Black, A08410

Warning : This product is manufactured with glass fiber. Not for use in cable/hose carrier. Call SCHOTT to discuss moving cable/hose carrier applications.

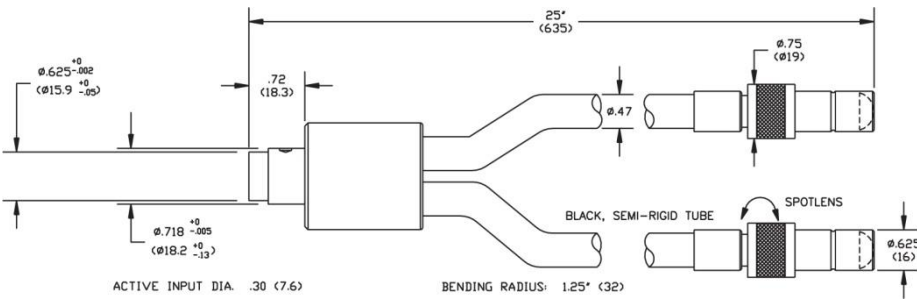


Dual Goosenecks: Dimensions

Dimensions in () are in mm

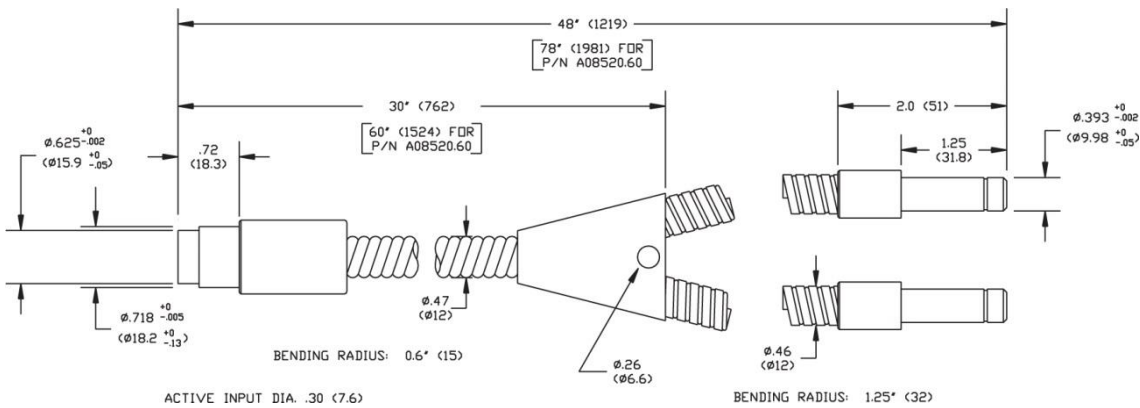


Dual Chrome Gooseneck, A08500



Dual Black Gooseneck, A08575

Combination Goosenecks and Bundles: Dimensions



Combination Gooseneck and Bundle, A08520 – A08520.60

Warning : This product is manufactured with glass fiber. Not for use in cable/hose carrier. Call SCHOTT to discuss moving cable/hose carrier applications.

All specifications are subject to change without prior notice. This datasheet or any extracts thereof may only be used in other publications with express permission of SCHOTT. © SCHOTT AG

Lighting and Imaging
SCHOTT AG
 Hattenbergstrasse 10
 55122 Mainz
 Germany
 Phone: +49 (0) 6131/66-7796
 Fax: +49 (0) 6131/66-7850
 lightingimaging@schott.com
 www.schott.com/coldvision

