

# ColdVision Line Lights

for ColdVision light sources



Suitable for narrow and elongated illumination in microscopy and machine vision inspection, SCHOTT ColdVision Line Lights offer high uniformity thanks to randomization. With a range of accessories and customized options, we can develop a bespoke line light solution for your application.

### Features:

- Line Lights offers intense calibrated homogeneous illumination.
- Available as randomized line light for maximized uniformity and redundancy.
- Different slit slices available.
- Rugged aluminum body and light source ferrule with black anodized finish.
- PVC covered metal tubing protects the fiber bundle.
- Perfect illumination for line scan cameras.

### Advantages:

- Our line light accessory range includes cylindrical, apertured lenses and mechanical holders.
- Accurately positioned fiber line within the body on all three planes assures that the fiber axis will be parallel with the mounting surface of the body.
- Custom lengths, bundle exits, multiple combinations (dual, quad, etc.) and line widths can be designed for your unique requirements.
- The 1", 2", & 3" size of line light offer a narrow, elongated body design.

Part No.	Line Dimension Length (A) x Width (B)	Input Active Fiber Diameter	Gray Scale Uniformity <sup>1</sup>	Part No. for Lens	Overall Length
				Cylindrical	
A08589*	2" x .035" (51mm x .89mm)	.30" (7.6mm)	< ± 8	*A08572	38.5"(978mm)
A08579*	1" x .070" (25mm x 1.8mm)	.43" (11mm)		*A08571	38"(965.2mm)
A08583*	2" x .035" (51mm x .89mm)	.43" (11mm)		*A08572	38.5"(978mm)
A08904*	4" x .036" (102mm x .91mm)	.43" (11mm)	± 8	*A08824	30" (762mm)
A08906*	6" x .033" (152mm x .84mm)			*A08826	
A08908*	8" x .025" (203mm x .64mm)			*A08828	
A08910*	10" x .020" (254mm x .51mm)			*A08830	
A08912*	12" x .016" (305mm x .41mm)			*A08832	
A08914*	14" x .014" (356mm x .36mm)	.51" (13mm)	± 10	*A08834	30" (762mm)
A08916*	16" x .012" (406mm x .30mm)			*A08836	
A08975*	6" x .022" (152mm x .56mm)			.58" (16mm)	

\* Made-to-order products

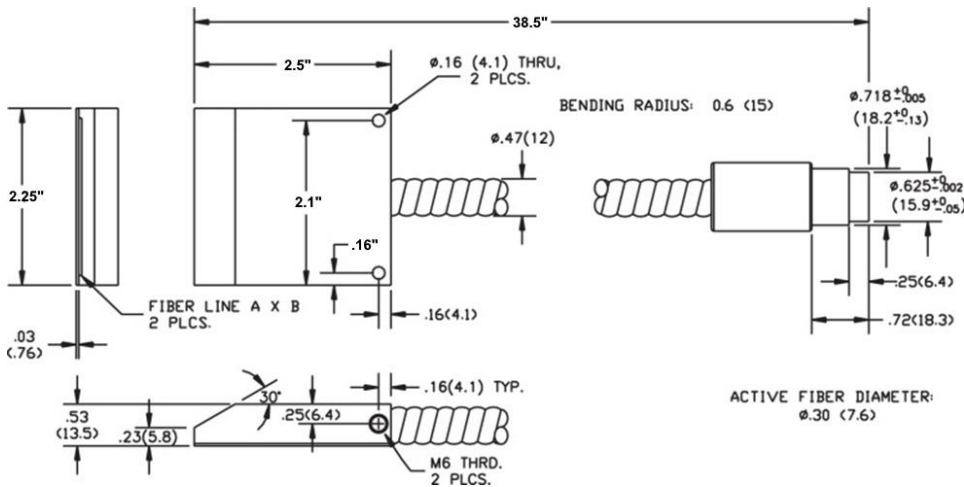
<sup>1</sup> Gamma setting of 1.0. Dimensions in ( ) are in mm

Custom configurations available. Compatible accessories available. See ColdVision-Accessories data sheet.

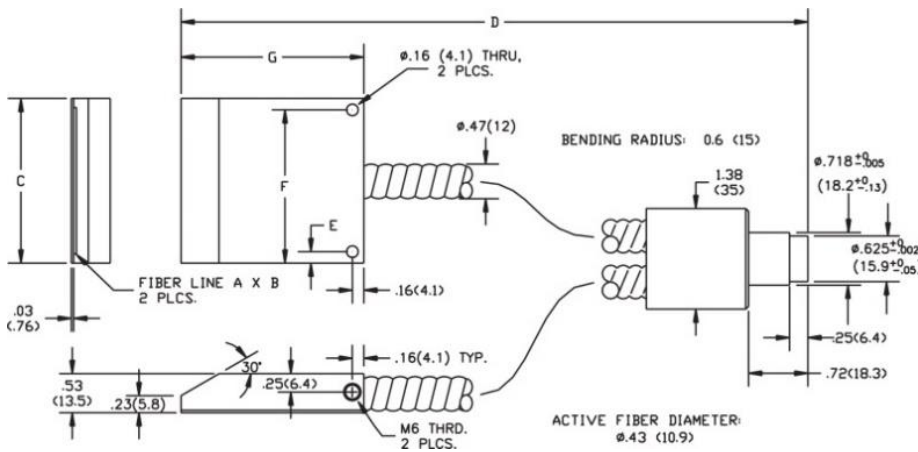


## Line Light: Dimensions

Dimensions in ( ) are in mm

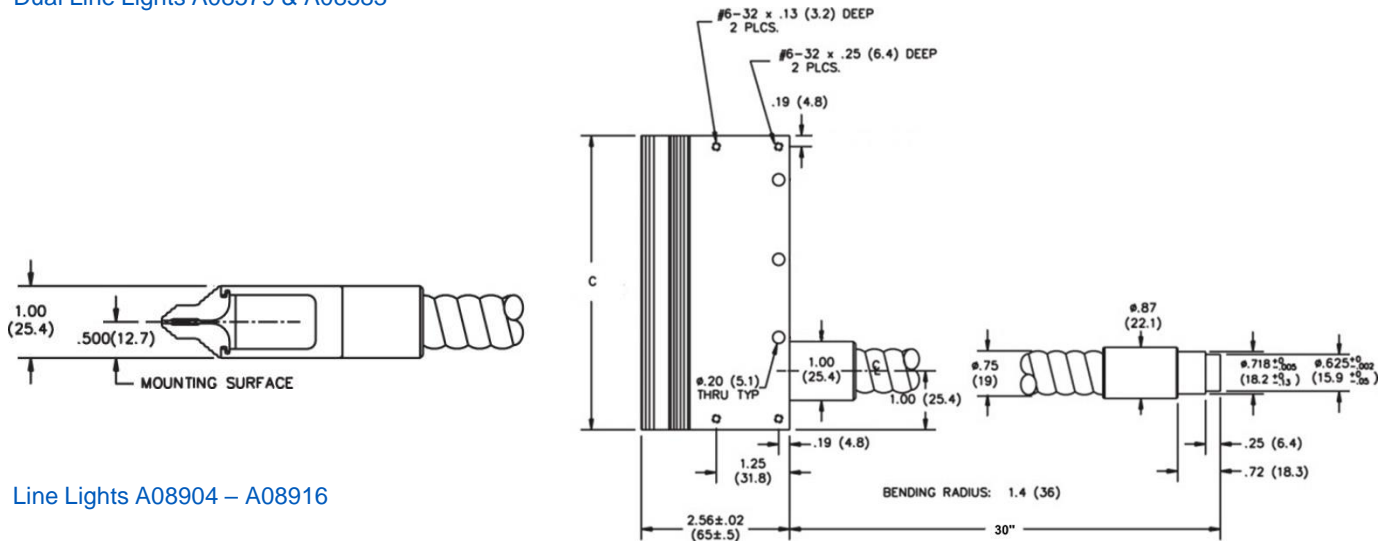


## Single Line Light A08589



	A08579	A08583
C	1.25"	2.25"
D	38"	38.5"
E	0.16"	0.16"
F	1.1"	2.1"
G	2"	2.5"

## Dual Line Lights A08579 & A08583



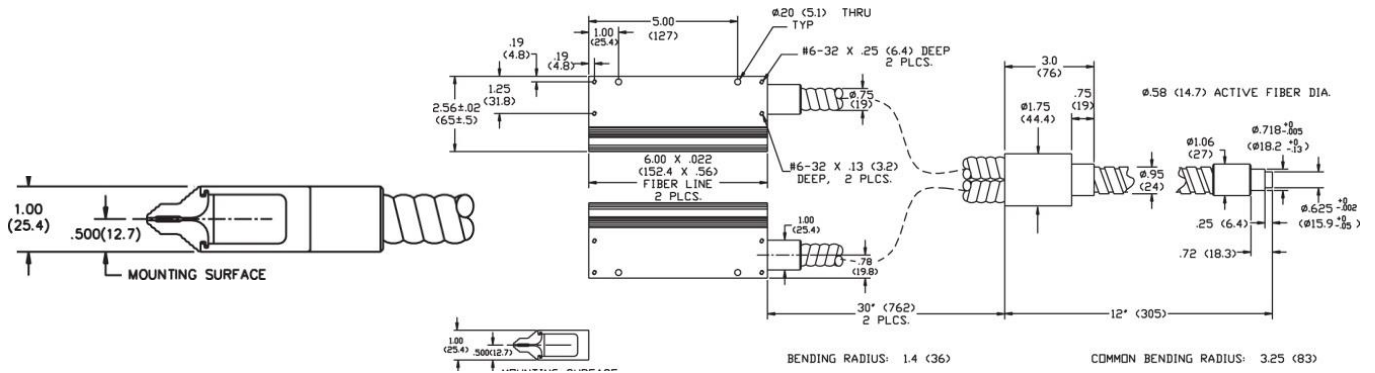
## Line Lights A08904 – A08916

**Warning:** This product is manufactured with glass fiber. Not for use in cable/hose carrier. Call SCHOTT to discuss moving cable/hose carrier applications.

**SCHOTT**  
glass made of ideas

# Line Light: Dimensions

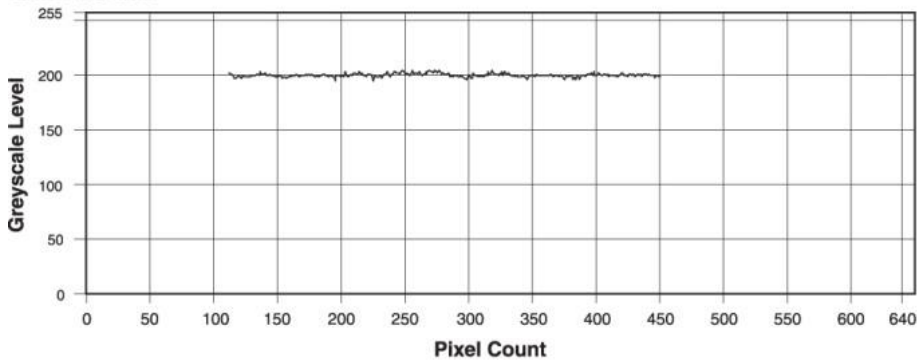
Dimensions in ( ) are in mm



## Dual Line Light A08975

### Example of Line Scan Results

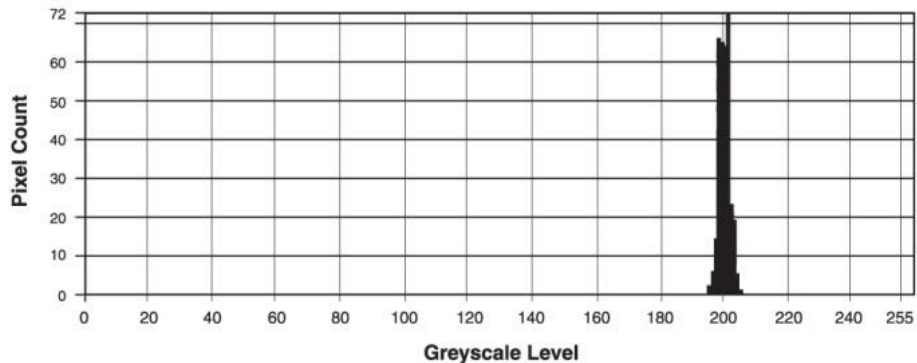
#### LINE PROFILE



#### GLOBAL REPORT

Mean Value	Maximal Value	Minimal Value	Standard Variation	Area (pixels)	%
199.78	205.00	195.00	1.74	337	1.40

#### HISTOGRAM



Version 01.2016

**Warning :** This product is manufactured with glass fiber. Not for use in cable/hose carrier. Call SCHOTT to discuss moving cable/hose carrier applications.

Version 08.2020

All specifications are subject to change without prior notice. This datasheet or any extracts thereof may only be used in other publications with express permission of SCHOTT. © SCHOTT AG

Lighting and Imaging  
**SCHOTT AG**  
 Hattenbergstrasse 10  
 55122 Mainz  
 Germany  
 Phone: +49 (0) 6131/66-7796  
 Fax: +49 (0) 6131/66-7850  
 lightingimaging@schott.com  
 www.schott.com/coldvision

