

# SCHOTT® Spectra LED 100W

For museum and retail showcases



With a high color rendering index, the SCHOTT® Spectra LED 100W is the ideal light source for architectural and retail showcase lighting, presenting colors in a highly natural way. Used in combination with SCHOTT fiber optic cables, it can be dimmed from 100 % all the way down to 0 % with almost no UV emissions, rendering additional inefficient UV filters obsolete.

#### Features:

- CRI > 90 for accurate color rendering.
- Two color temperature options: 3000 K and 4400 K.
- Extremely low UV emission, especially when used in combination with SCHOTT fiber optic light cables.

#### Advantages:

- Long lifetime.
- No bulb replacement required, providing low operating costs.
- Up to 40 % energy savings thanks to very low energy consumption.
- Very low fan noise (19 dB).
- Safe and consistent illumination for museums and retail stores.

## Technical Specifications

Part No.	1246767	1257204	1257278	1257283	1257285	1688755	1397531	1397547
Dimming	On/Off	Turn switch	Turn switch	Turn switch	Turn switch	Turn switch	Remote 0-10V signal	Remote 0-10V signal
Reflector	Clear	Clear	Diffuse	Clear	Diffuse	Diffuse	Clear	Diffuse
Color Temperature	4400 K (± 300 K)			3000 K (± 300 K)				
Color Rendering Index	93 (± 3)			90 (±3)				
Luminous Flux <sup>1</sup>	Clear reflector	1750 lm		1475 lm				
	Diffuse reflector <sup>2</sup>	1320 lm		1000 lm				
Input Voltage	24 V DC							
Input Current	4 A							
Power Consumption	96 W							
Service life of LED array (typical)	50,000 h ("L 70" to 70 % of original light output)							
Operating Temperature	0 °C to 40 °C							
Storage Temperature	-10 °C to 70 °C							
Dimensions (W x D x H)	206 mm x 150 mm x 86 mm							
Cooling	Heat pipes with 19 dB (A) low speed axial fan							
IP Rating	IP 20							
Thermal Trip protection	Auto reset							
Environment	Interior, dry locations only							
Certification	CE, UL E 337577, EAC (for 1688755 only, others on request), ROHS conform, WEEE-Reg.-No. DE 14542729							

<sup>1</sup> Luminous Flux is measured at the end of a 2 m SCHOTT Glass Fiber Harness with 23 mm active diameter.

<sup>2</sup> The diffuse reflector enables even light output of each harness tail without having to randomize the fibers.

## Power Supply

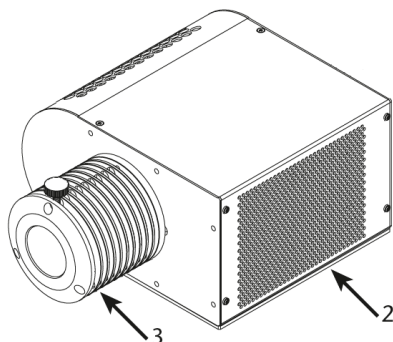
Part No. 1264671			
Supply Voltage	90 V AC to 264 V AC	Output Voltage	24 V DC
Supply Frequency	47 to 63 Hz	Output Current	4 A



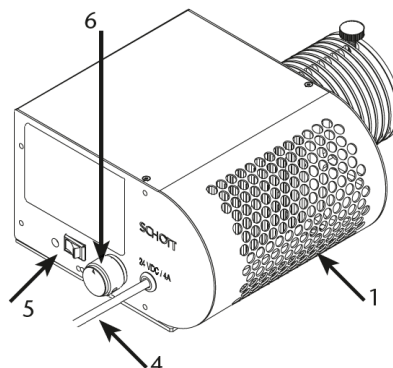
# SCHOTT® Spectra LED 100W

For museum and retail showcases

## Dimensions

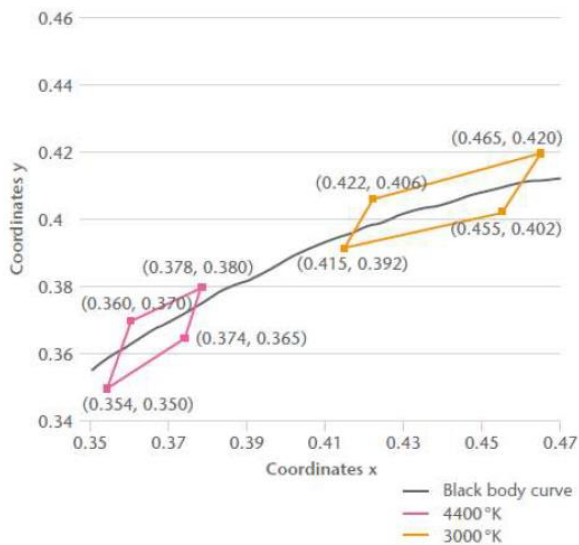


- 1. Exhaust air vent (Min 50mm (2") from non ventilated surface).
- 2. Intake air vent (Min 50mm (2") from non ventilated surface).

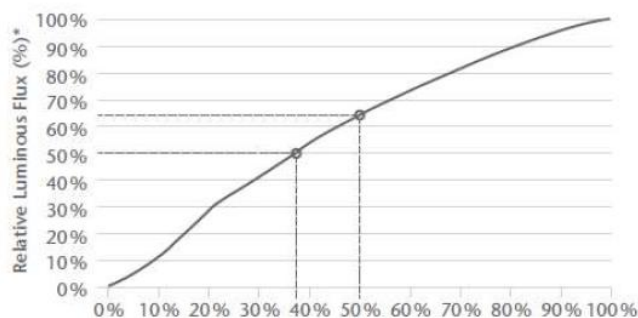


- 3. Common end boss.
- 4. DC power input cable.
- 5. Power switch.
- 6. Dimmer control knob.

## Defined CIE Chromaticity Diagram boundaries for 3000 K and 4400 K versions



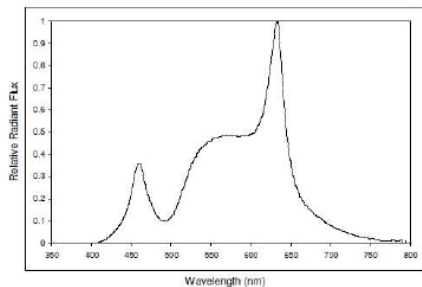
## Dimming and Power Consumption



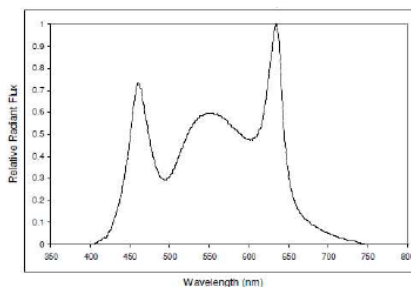
## Relative Power Consumption (%)

37% Power Consumption at 50% Luminous Flux  
50% Power Consumption at 63% Luminous Flux

## Spectral distribution: 3000 K



## Spectral distribution: 4000 K



All specifications are subject to change without prior notice. This datasheet or any extracts thereof may only be used in other publications with express permission of SCHOTT. © SCHOTT AG.

Lighting & Imaging  
**SCHOTT AG**  
 Hattenbergstrasse 10  
 55122 Mainz  
 Germany  
 Phone: +49 (0)6131/66-7760  
 Fax: +49 (0)6131/66-7850  
[lightingimaging@schott.com](mailto:lightingimaging@schott.com)  
[www.schott.com/lightingimaging](http://www.schott.com/lightingimaging)

**SCHOTT**  
 glass made of ideas