

# ColdVision ACE® Light Source

for machine vision applications



ACE® Light Source with EKE Lamp, A20500

A compact and rugged AC halogen light source, the ACE® is ideal for stereo microscopy thanks to its simplified, easy-to-use control options. With a solid state dimmer for variable light intensity, built-in thermal shutdown and quiet fan cooling, efficiency is maintained and lamp life is maximized.

### Features:

- Heavy duty, grounded metal housing.
- 115V or 230V input voltage versions available.
- IR interference filter for cool illumination.
- Actively controlled lamp temperature.
- Choice of two 150 W halogen lamps (EKE or DDL) to increase the range of light intensity and color temperature options.

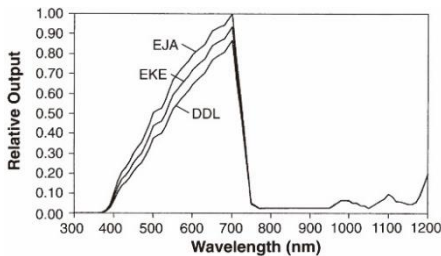
### Advantages:

- Maximum light intensity of 860 lm.
- Continuous dimming from 0-100 %.
- Interchangeable Modulamp Units offer two positions to maximize the efficiency of individual lamps.

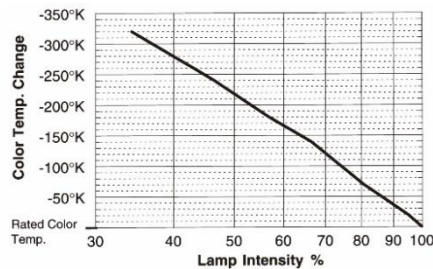
Light Source Models	Part No.	Lamp	Power Consumption	Output Voltage	Fiber Receptacle	Input Voltage	Temperature Range Operating
115 Volts	A20500	EKE Lamp	120 Watts (nominal)	0-21 VAC	0.72" (13.3 mm)	115 VAC / 60 Hz	32°F – 122°F (0°C – 50°C)
	A20500.2	DDL Lamp					
230 Volts	A20510	EKE Lamp					
	A20510.2	DDL Lamp					

\*Custom Order. Lamps can be purchased separately (EKE, DDL and Modulamp units)

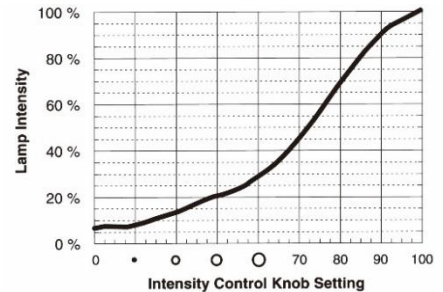
Spectral Curves w/Interference IR Filter



Color temperature Change vs. Lamp Intensity



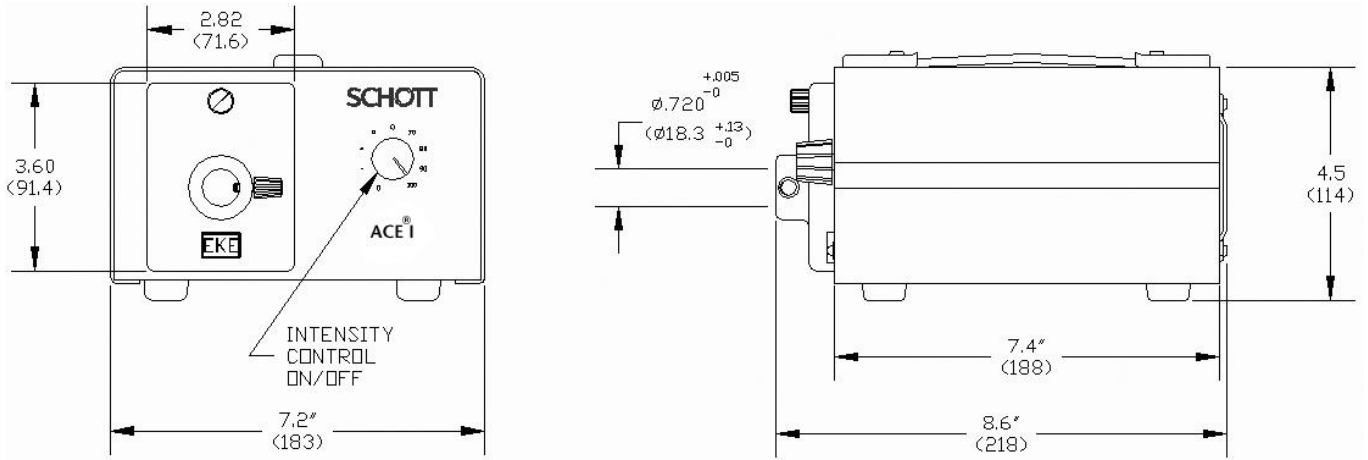
Lamp Intensity vs. Intensity Control Knob Setting



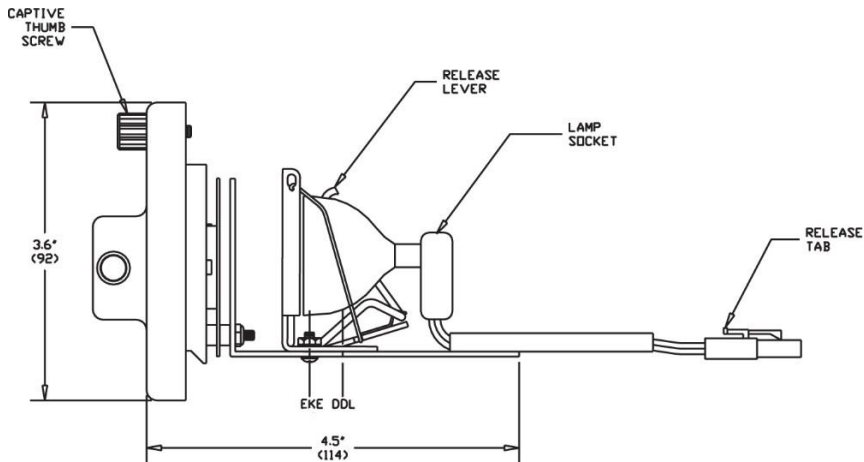
Dimensions

Dimensions in ( ) are in mm

ACE® Light Source



Input: 115 VAC/60 Hz, 230 VAC/50/60 Hz, Output: 0–21 VAC



All specifications are subject to change without prior notice. This datasheet or any extracts thereof may only be used in other publications with express permission of SCHOTT. © SCHOTT AG

Lighting and Imaging  
**SCHOTT AG**  
 Hattenbergstrasse 10  
 55122 Mainz  
 Germany  
 Phone: +49 (0) 6131/66-7796  
 Fax: +49 (0) 6131/66-7850  
 lightingimaging@schott.com  
 www.schott.com/coldvision

