

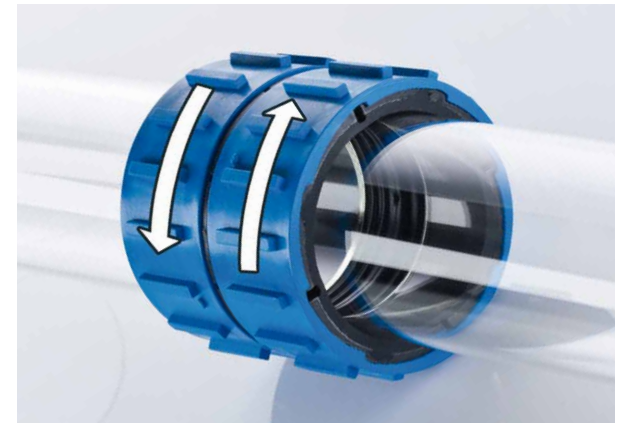


Product Range



Couplings

Outside Diameter Tube on Side 1	Outside Diameter Tube on Side 2		Package  number of couplings	Description	Package 		
	mm	in			mm	in	Weight approx. kg
54	2.13	54	2.13	30 Bag	Standard ⁽¹⁾	6.9	15.3
				1,200 Pallet	Standard	277.7	612.2
65	2.56	65	2.56	25 Bag	Standard	6.1	13.4
				900 Pallet	Standard	219.4	483.7
Toolbox	Toolbox 54 with torque wrench for closing of coupling and with tools for opening						
	Toolbox 65 with torque wrench for closing of coupling and with tools for opening						



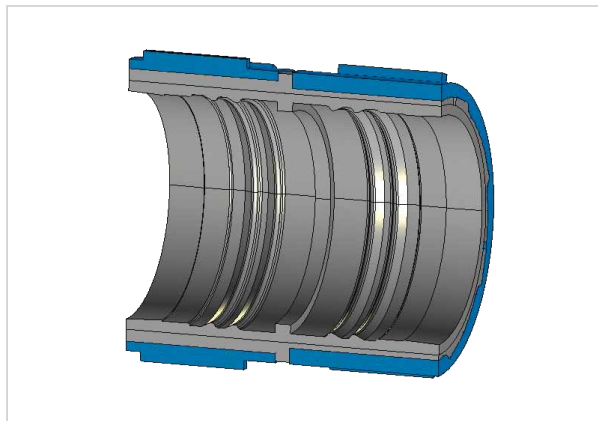
Coupling with arrows indicating the closing direction.

Additional Equipment

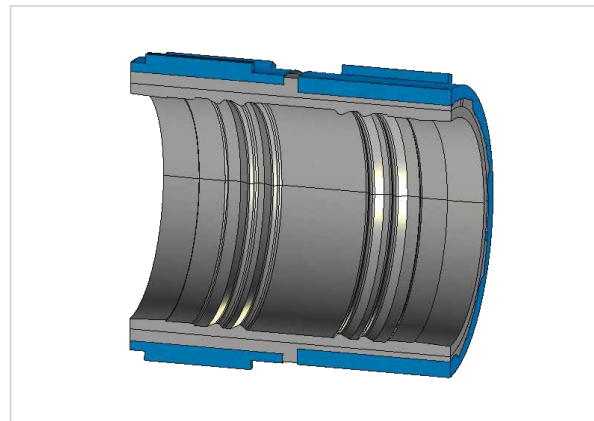
Outside Diameter Tube on Side 1	Outside Diameter Tube on Side 2		Package  number of couplings	Description	Package 		
	mm	in			mm	in	Weight approx. kg
54	2.13	54	2.13	4 Carton	Maintanance kit (no partition wall) ⁽²⁾	0.9	2.0
65	2.56	65	2.56	4 Carton	Maintanance kit (no partition wall)	1.0	2.2
65	2.56	63.5	2.50	4 Carton	Adapter ⁽³⁾	1.0	2.2

Specially developed for tubular photobioreactors the couplings are designed for SCHOTT glass tubes with plain tube ends according to the product range shown in this brochure.

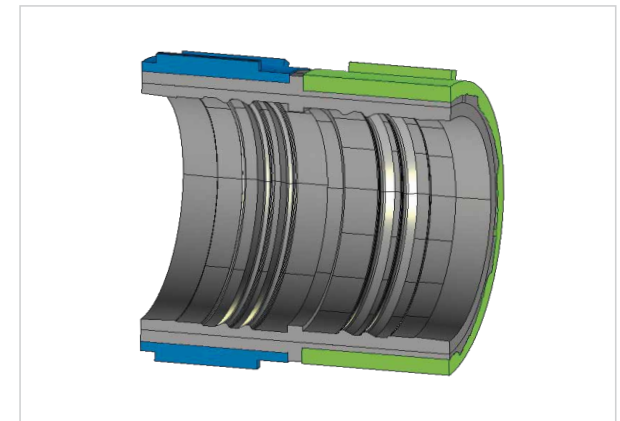
- Successfully tested for 10 years lifetime regarding
 - 3 bar pressure resistance
 - UV-resistance
 - Regular cleaning cycles with various chemicals
- Fast installation allows reduced built-up time of the reactor
- Easy to disassemble and re-use allowing fast modification or extension of a reactor system
- Easy handling with pre-assembled devices and a special tool kit including a torque wrench



(1) Standard
With partition wall to assure glass separation and smooth transition



(2) Maintenance kit
Allows easy exchange of tubes, no partition wall



(3) Adapter
Allows connection to periphery tubes with 2.5 inch outer dimension

More information available upon request.