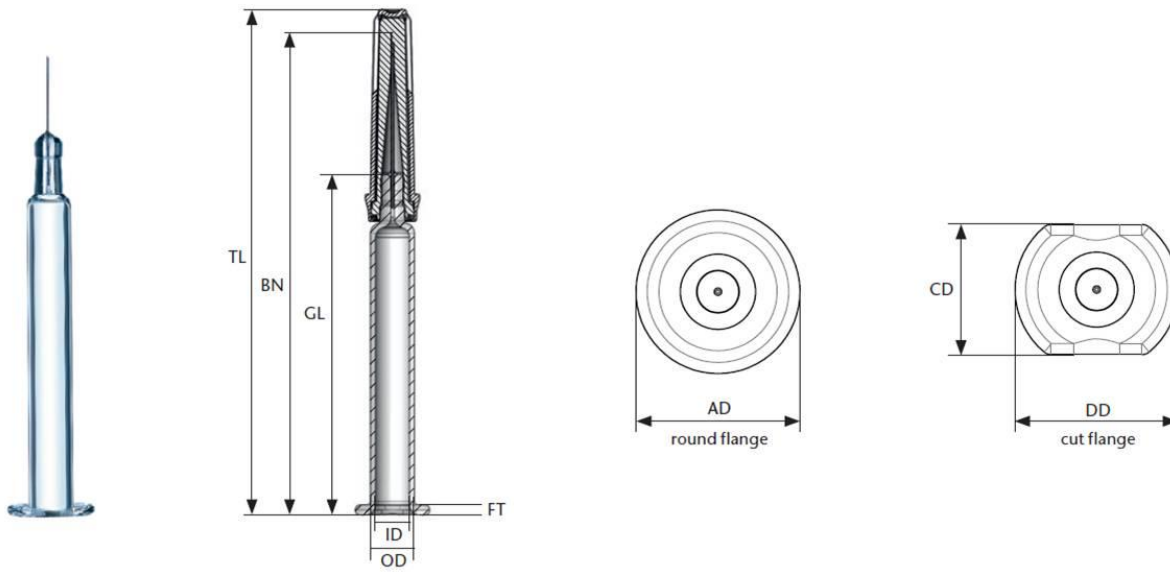


syriQ™ Staked Needle Syringes



Format In mm	Total Length (TL)	Barrel/ Needle (BN)	Glass Barrel (GL)	Inside Diameter (ID)	Outside Diameter (OD)	Flange Thickness (FT)	Flange (DD)	Flange (CD)	Flange (AD)	
0.5 ml 25G	1/2"	74.6	70.2	57.5	Ø 4.65	Ø 6.85	1.8	Ø 13.4	Ø 10.5	Ø 13.4
1.0 ml long 22-29G	1/2"	80.9	76.7	64.0	Ø 6.35	Ø 8.15	1.9	Ø 13.8	Ø 11.0	Ø 13.8
	5/8"	85.7	79.9	64.0	Ø 6.35	Ø 8.15	1.9	Ø 13.8	Ø 11.0	Ø 13.8
1.0 ml short 25G	5/8"	68.7	64.1	46.7	Ø 8.65	Ø 10.85	2.2	Ø 17.75	Ø 14.7	Ø 17.75
2.25 ml 27G	1/2"	82.5	78.1	54.4	Ø 8.65	Ø 10.85	2.2	Ø 17.75	Ø 14.7	Ø 17.75

