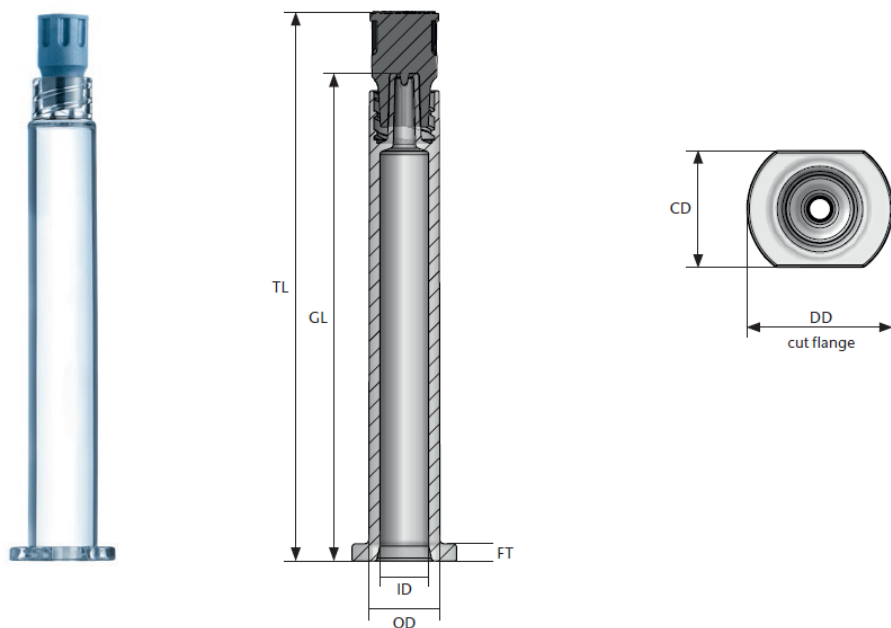


SCHOTT TopPac[®] Syringe



Format in mm	Total Length (TL)	COC Barrel (GL)	Inside Diameter (ID)	Outside Diameter (OD)	Flange Thickness (FT)	Flange (DD)	Flange (CD)	Pieces per tub
1.0 ml lg	72.6	64.5	Ø 6.5	Ø 9.4	2.3	Ø 13.8	Ø 11.0	100
1.0 ml	54.0	45.9	Ø 8.75	Ø 11.4	2.3	Ø 17.75	Ø 14.7	100
2.25 ml	72.5	64.4	Ø 8.75	Ø 11.4	2.3	Ø 17.75	Ø 14.7	100
3.0 ml	90.5	82.4	Ø 8.75	Ø 11.6	2.3	Ø 17.75	Ø 14.7	100
5.0 ml	85.0	76.9	Ø 12.2	Ø 15.0	2.3	Ø 23.0	Ø 19.5	64
10.0 ml	105.8	97.7	Ø 14.7	Ø 18.0	2.3	Ø 27.0	Ø 21.5	42
20.0 ml	128.3	120.2	Ø 18.2	Ø 21.6	2.3	Ø 26.0	Ø 38.0	30
50.0 ml	136.9	128.8	Ø 27.9	Ø 31.5	3.0	Ø 36.0	Ø 50.0	20