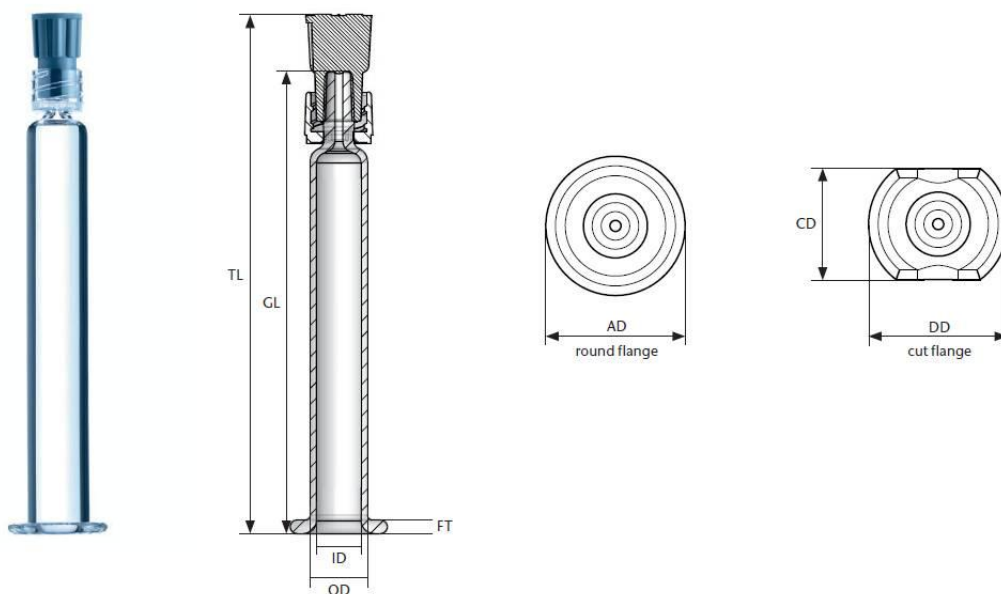


# syriQ™ Luer Lock Adapter Syringes



Format in mm	Total Length (TL)	Glass Barrel (GL)	Inside Diameter (ID)	Outside Diameter (OD)	Flange Thickness (FT)	Flange (DD)	Flange (CD)	Flange (AD)
1.0 ml long	73.8	65.7	Ø 6.35	Ø 8.15	1.9	Ø 13.8	Ø 11.0	Ø 13.8
3.0 ml	92.6	84.7	Ø 8.65	Ø 10.85	2.2	Ø 17.75	Ø 14.7	Ø 17.75

