

PANELite® Backlights

A versatile addition to the extensive line of our patented backlights.



PANELite® Backlight with acrylic diffuser plate, A23020



PANELite® Backlight with adhesive back, A23000

Typical Applications

- Glass Inspection
- Edge detection
- Photography
- Instrumentation display

Special Configurations

- Due to the special nature of these products, all models are made-to-order
- PANELite® backlights can be manufactured with different active areas, placement of outputs and mounting hole locations; contact us for a custom quote

NOTE: All standard PANELite® backlight configurations have the same input dimensions.

Product and Performance Characteristics

- Patented process creates diffuse, uniform illumination within the active area
- Slim profile to fit the most restrictive space requirements and economical since no housing is required
- Dependable performance built into three standard configurations, all with an IR filter included
- Flexible panel A23000 can create a seamless, curved background and can be trimmed to final size
- When used with a curved diffuser (not included) PANELite® backlights are ideal for multi-camera inspection of cylindrical surfaces
- Intended for use with strobes and ColdVision Series light sources; other sources, particularly those without an IR filter, may damage the plastic fibers
- Can be used with all of our dichroic color filters in conjunction with the A08931 backlight color filter adapter

PANELite® Backlights

| Part No. | Description | Calibrated Area | Panel Size | Overall Thickness |
|--------------------------|---|---------------------|-----------------------|-------------------|
| *A23000 | Flexible, adhesive back | 3" x 5" (76 x 127)* | 4" x 6" (102 x 152) | .05" (1.3) |
| *A23010 | Non-flexible, black anodized aluminum back | 3" x 5" (76 x 127) | 4.8" x 9" (122 x 229) | .09" (2.3) |
| *A23020 | Non-flexible, black anodized aluminum plate with acrylic diffuser plate | 3" x 5" (76 x 127) | 4.8" x 9" (122 x 229) | .5" (12.7) |
| * Made-to-order products | | | | |

PANELite® Backlight Options

| Part No. | Description | |
|-------------------------|----------------------|--|
| *A08931 | Color filter adapter | Fits backlight light source adapters with .718" (18.2) diameter input size |
| * Made-to-order product | | |

Version 01.2017

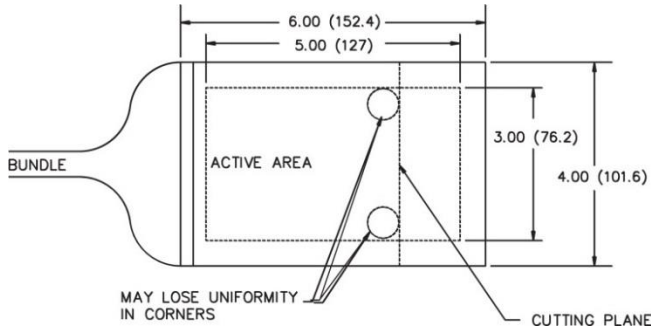


Specifications PANELite® Backlights

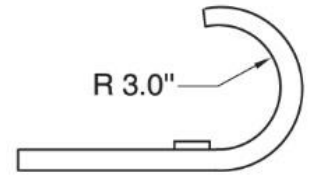
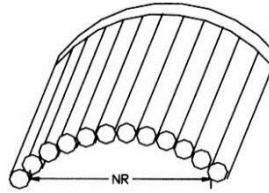
All standard PANELite® backlight configurations have the same input dimensions.

Dimensions in () are in mm

A23000 PANELite® Backlight

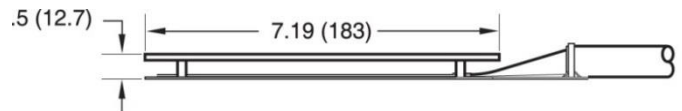
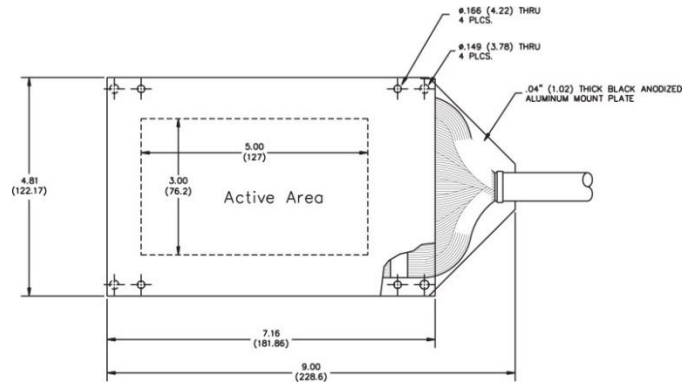
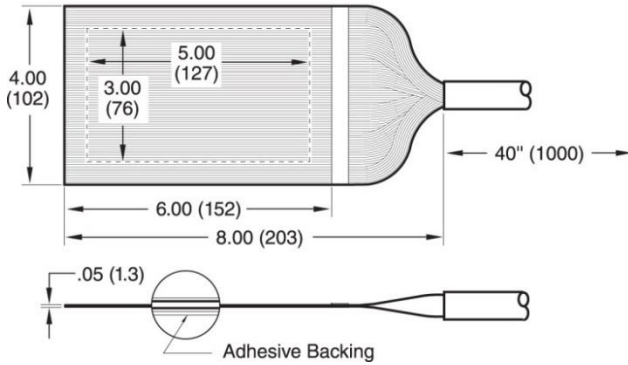


Warning : This product contains plastic fibers. To avoid fiber damage use only with SCHOTT or other approved light sources. Do not use input filters or diffusers without a SCHOTT adapter. Thermal transfer may cause damage to the fibers. All PANELite® Backlights have permanent input IR filters which must be kept clean. Clean panels with isopropanol only. OTHER SOLVENTS will damage the fiber and affect uniformity.

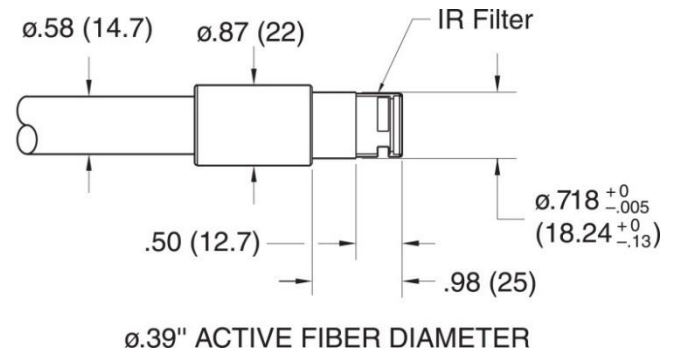
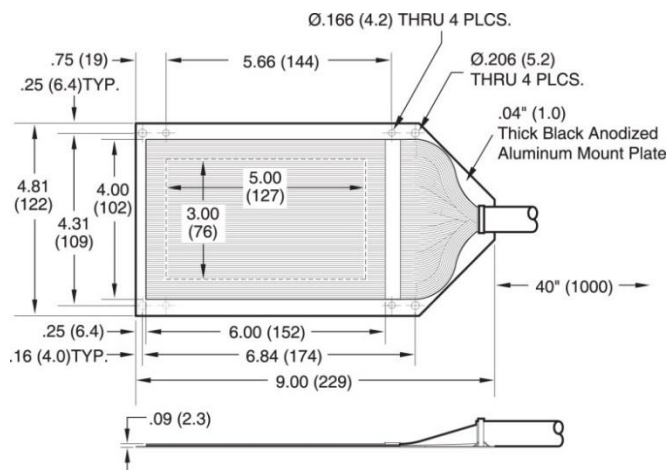


Bending Radius

A23020 PANELite® Backlight



A23010 PANELite® Backlight



All specifications are subject to change without prior notice. This datasheet or any extracts thereof may only be used in other publications with express permission of SCHOTT. © SCHOTT AG

Lighting and Imaging
SCHOTT AG
 Hattenbergstrasse 10
 55122 Mainz
 Germany
 Phone: +49 (0) 6131/66-7796
 Fax: +49 (0) 6131/66-7850
 lightingimaging@schott.com
 www.schott.com/lightingimaging

SCHOTT
 glass made of ideas