

# Diffuse Dome

For use with 4" Fiber Optic Ringlight A08700.



Diffuse Dome A25045 with Ringlight, A08700 (Ringlight not included)

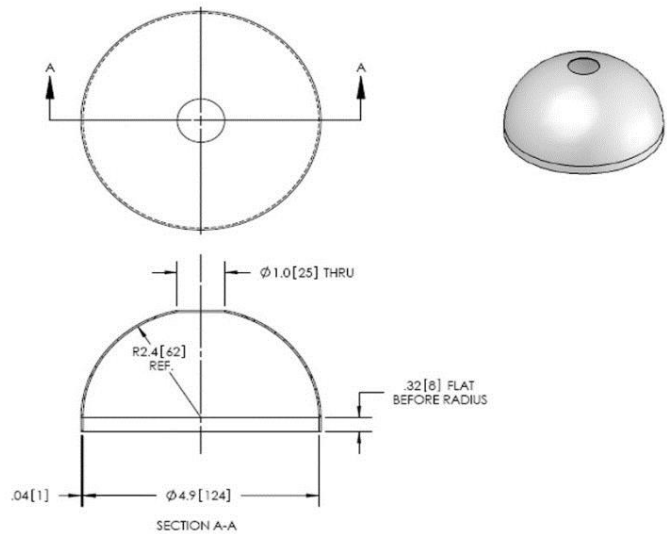


## Typical Applications

- Data matrix code reading, OCR/OCV
- Semiconductor wafer inspection
- Foil inspection
- Can or bottle inspection

## Product and Performance Characteristics

- Diffuse Dome is used to eliminate specular reflection on shiny surfaces.
- Eliminates specular glints and/or shadows on reflective parts
- Used with 4" diameter ringlight A08700
- 4.9" (124 mm) diameter x 2.70" (69 mm) height (without ringlight)
- Viewing aperture: 0.98 (25 mm)



Dimensions in ( ) are in mm  
All other dimensions are inches

Version 01\_2017

