

# Lightlines

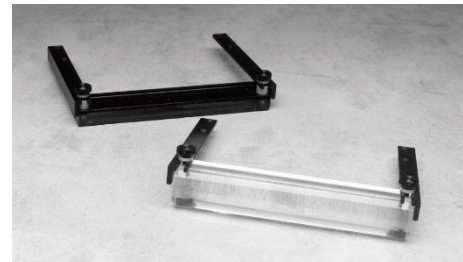
Uniform lines of light ideal for Machine Vision and line scan applications achieving higher uniformity than any LED chips due to position density



12" Lightline, A08912



Dual Lightlines, A08975



Apertured Lens, A08806, Cylindrical Lens A08826,

## Product and Performance Characteristics

- Calibrated with DDL-bulb to a specified number of gray scale levels (see chart) at a mean of 200 with a gamma setting of 1.0 to deliver optimum uniformity (See reference section for more information on uniformity of fiber optic products)
- Assembly method accurately positions the fiber line within the body on all three planes, to a tolerance of  $\pm .004"$  (0.1)†, assuring the fiber axis will be parallel with the mounting surface of the body
- Fiber bundle exit locations include back-side (standard exit), back-center, and true-side
- Rugged aluminum body and light source ferrule with black anodized finish, PVC covered metal tubing protects the fiber bundle
- Lightline holders and support products available
- Custom lengths, bundle exits, multiple combinations (dual, quad, etc.) and line widths can be designed for your unique requirements
- Cylindrical and apertured lenses are available for most lightline models (Made-to-Order)

## Matrix for A08903 & A08916 Lightline Drawing

Part No.	A	B	C	D	E	F
A08903	3" (76)	.040" (1.0)	30" (762)	.75" (19.1)	1.5" (39)	n/a
A08904	4" (102)	.036" (.91)	30" (762)	.75" (19.1)	2.5" (64)	n/a
A08905	5" (127)	.040" (1.02)	30" (762)	.75" (19.1)	3.5" (89)	n/a
A08906	6" (152)	.033" (.84)	30" (762)	.75" (19.1)	4.5" (114)	n/a
A08907	7" (178)	.029" (.74)	30" (762)	.75" (19.1)	5.5" (140)	n/a
A08908	8" (203)	.025" (.64)	30" (762)	.75" (19.1)	6.5" (165)	n/a
A08909	9" (229)	.022" (.56)	30" (762)	.75" (19.1)	7.5" (191)	n/a
A08910	10" (254)	.020" (.51)	30" (762)	.75" (19.1)	8.5" (216)	n/a
A08911	11" (279)	.018" (.46)	30" (762)	.75" (19.1)	9.5" (241)	n/a
A08912	12" (305)	.016" (.41)	30" (762)	.75" (19.1)	10.5" (267)	n/a
A08913	13" (330)	.015" (.38)	30" (762)	.75" (19.1)	6.13" (156)	11.5" (292)
Custom	14" (336)	.014" (.38)	30" (762)	.75" (19.1)	6.63" (168)	12.5" (316)
A08915	15" (381)	.013" (.33)	30" (762)	.75" (19.1)	7.13" (181)	13.5" (343)
A08916	16" (406)	.012" (.30)	30" (762)	.75" (19.1)	7.63" (194)	14.5" (368)

Input: Black Anodized Aluminium  
 Body: Black Anodized Aluminium  
 Sheathing: PVC Covered Metal Tubing

**Warning :** This product is manufactured with glass fiber. Not for use in cable/hose carrier. Call SCHOTT to discuss moving cable/hose carrier applications.

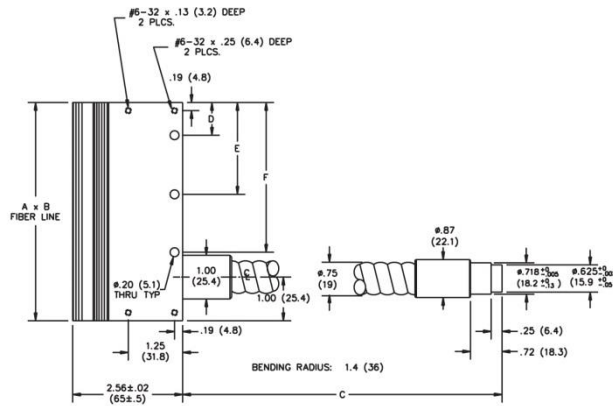
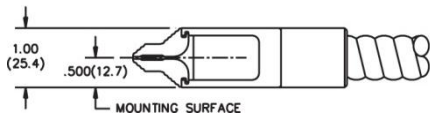
Dimensions in ( ) are in mm



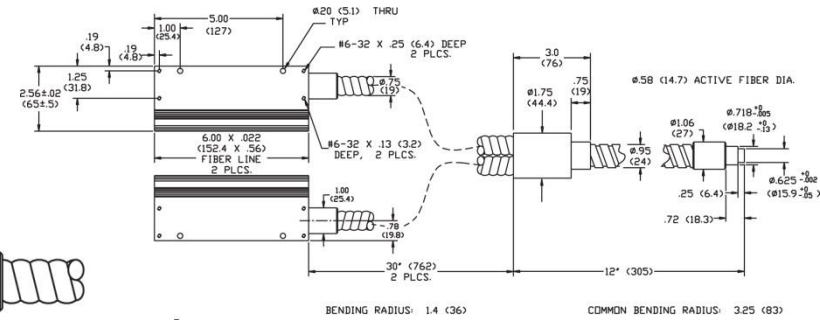
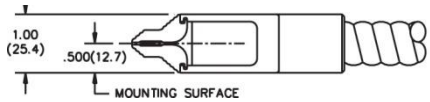
## Specifications

Dimensions in ( ) are in mm

### Lightlines A08903 – A08916



### Dual Lightlines A08975



### Lightlines and Lenses Single Line Configuration with 30" Bundle Length and Back-Side Single Exit

Part No.	Line Dimension Length x Width	Input Active Fiber Diameter	Gray Scale Uniformity <sup>^</sup>	Part No. for Lens	
				Cylindrical	Apertured
A08903	3" x .040" (76 x 1.02)	.39" (10) <sup>†</sup>	± 8	*A08823	*A08803
A08904	4" x .036" (102 x .91)	.43" (11)	± 8	*A08824	*A08804
A08905	5" x .040" (127 x 1.02)	.51" (13)	± 8	*A08825	*A08805
A08906	6" x .033" (152 x .84)	.51" (13)	± 8	*A08826	*A08806
*A08907*	7" x .029" (178 x .74)	.51" (13)	± 8	*A08827	Custom
A08908	8" x .025" (203 x .64)	.51" (13)	± 8	*A08828	*A08808
*A08909*	9" x .022" (229 x .56)	.51" (13)	± 8	*A08829	Custom
A08910	10" x .020" (254 x .51)	.51" (13)	± 8	*A08830	*A08810
*A08911*	11" x .018" (279 x .46)	.51" (13)	± 8	*A08831	Custom
A08912	12" x .016" (305 x .41)	.51" (13)	± 8	*A08832	*A08812
*A08913*	13" x .015" (330 x .38)	.51" (13)	± 10	*A08833	Custom
Custom	14" x .014" (356 x .36)	.51" (13)	± 10	*A08834	Custom
*A08915*	15" x .013" (381 x .33)	.51" (13)	± 10	*A08835	Custom
A08916	16" x .012" (406 x .30)	.51" (13)	± 10	*A08836	*A08816

\* Made-to-order products. Items made to order, and may require additional 3-4 weeks delivery. <sup>^</sup> Gamma setting of 1.0. Dimensions in ( ) are in mm.

### Lightlines and Lenses Single Line Configuration with 30" Bundle Length and Back-Side Single Exit

Part No.	Line Dimension Length x Width	Input Active Fiber Diameter	Gray Scale Uniformity <sup>^</sup>	Part No. for Lens	
				Cylindrical	Apertured
A08975	6" x .022" (152 x .56)	.58" (16)	± 8	A08826	A08806

Dimensions in ( ) are in mm.

All specifications are subject to change without prior notice. This datasheet or any extracts thereof may only be used in other publications with express permission of SCHOTT. © SCHOTT AG

Lighting and Imaging  
**SCHOTT AG**  
 Hattenbergstrasse 10  
 55122 Mainz  
 Germany  
 Phone: +49 (0) 6131/66-7796  
 Fax: +49 (0) 6131/66-7850  
 lightingimaging@schott.com  
 www.schott.com/lightingimaging

**SCHOTT**  
 glass made of ideas