

Darkfield Ringlight



Annular darkfield ringlight 66/70 mm



Extension adaptors for darkfield ringlight

Features

- Ringlight with special configuration of fiber exit.
- Fibers are designed with low angle of incidence within the housing.
- Mounts directly to 66 & 70 mm objectives by means of three thumb screw or objective adaptors.
- Housing made of rugged, black anodized aluminium.
- Fiber bundle protected with flexible metal PVC sheathing.

Benefits

- Illumination of polished or metal surfaces with real incident darkfield.
- Low angle illumination for darkfield effects for shiny, reflective surfaces.

Cold light source**	Part No.	Type	Length	Inner Ø	Outer Ø	Height	Minimum working distance*	Active Ø branch	Outer Ø Jacketing	Light source adapter Ø
			(L)	(ID)	(OD)	(H)	(A)	(b)	(D)	
KL 1500 HAL KL 1600 LED KL 2500 LED KL 2500 LCD	157 406	Slit DF- RL	1000 mm 39.37"	120 mm 4.72"	66/70 mm 2.60"	36 mm 1.42"	5 mm-15 mm 0.20-0.59"	8.5 mm 0.34"	14 mm 0.55"	10 mm 0.39"

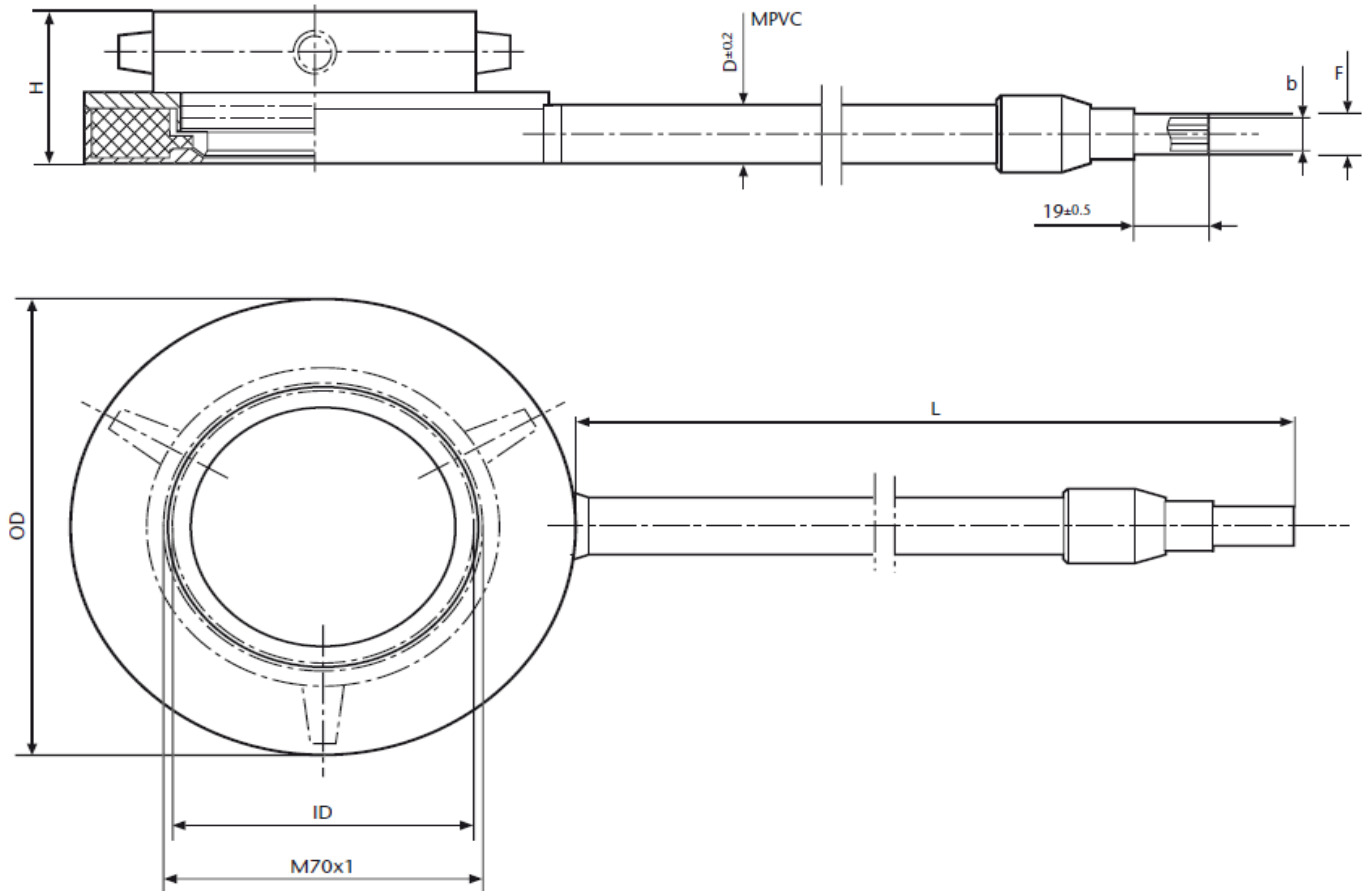
Adapting diameter 66 mm*	Part. No.	Length
Extension adaptor for objective working distance 30 – 50 mm	157 569	30 mm
Extension adaptor for objective working distance 50 – 80 mm	157 567	50 mm
Extension adaptor for objective working distance 80 –110 mm	157 562	75 mm

* Further customized adaptors available.

** and discontinued KL 1500 products (KL 1500 compact, KL 1500 LCD, KI 1500 LED, KL 1500 LED Plus)



Darkfield Ringlight



All specifications are subject to change without prior notice. This datasheet or any extracts thereof may only be used in other publications with express permission of SCHOTT. © SCHOTT AG

Lighting and Imaging
SCHOTT AG
Hattenbergstrasse 10
55122 Mainz
Germany
Phone: +49 (0) 6131/66-7796
Fax: +49 (0) 6131/66-7850
lightingimaging@schott.com
www.schott.com/lightingimaging

SCHOTT
glass made of ideas