

Ringlight Polarizers & Analyzers

The polarizing effect enhances contrast on highly reflective surfaces for Microscopy and Machine Vision Applications.



Polarizer, A08615

Product and Performance Characteristics

- Polarizer/analyzer combinations reduce reflection and glare
- The A08615 and A08632 polarizers were designed to easily snapfit onto the ringlight, the analyzer is dropped through the top of the ringlight and positioned on top of the polarizer
- To prevent the polarizer/analyzer from moving due to vibration, a knurled thumb-screw locks the polarizer assembly into position which also makes the holder easier to adjust
- To further prevent vibration, a set-screw stops the polarizer disk from turning within the assembly, features are found on polarizer / analyzer model numbers A08615 and A08627

Polarizers & Analyzers

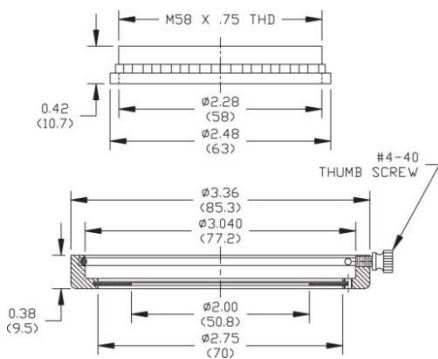
Part No.	Ringlights
A08615	A08600, A08620, A08625, A08680, A08600.1
A08627	A08625 & Olympus Adapter, part number A08626
A08632	A08630, A08635
A08652	A08650, A08660, A08670
A08705^	A08700

^Polarizer ring only. User must supply analyzer.

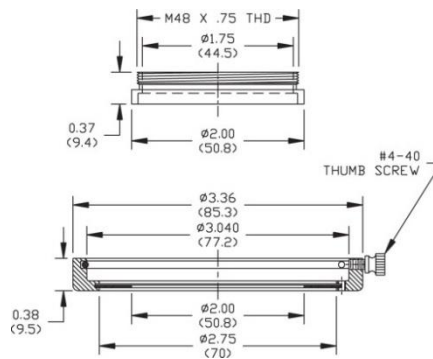
Ringlight Polarizers & Analyzers

Dimensions in () are in mm

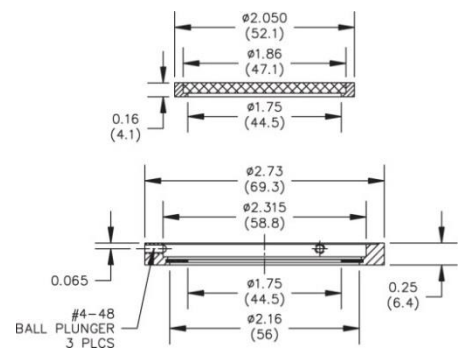
A08615



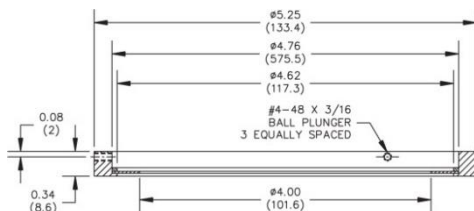
A08627



A08632



A08705



Version 01.2017

All specifications are subject to change without prior notice. This datasheet or any extracts thereof may only be used in other publications with express permission of SCHOTT. © SCHOTT AG

Lighting and Imaging
SCHOTT AG
 Hattenbergstrasse 10
 55122 Mainz
 Germany
 Phone: +49 (0) 6131/66-7796
 Fax: +49 (0) 6131/66-7850
 lightingimaging@schott.com
 www.schott.com/lightingimaging

SCHOTT
 glass made of ideas