

Combination Goosenecks and Bundles

Obedient, incident illumination for space constrained applications.



Combination Dual Gooseneck with Bundle, A08520.60

Bundle Input: Black Anodized Aluminium
 Bundle Sheathing: PVC Covered Metal Tubing
 Gooseneck Sheathing: Chrome Plated Steel



Combination Gooseneck, Bundle, and Bracket, A08512 for Olympus SZX Series Microscopes

Product and Performance Characteristics

- Bundle sheathing is made of PVC covered metal tubing and the gooseneck is made of semi-obedient, chrome-plated metal gooseneck tubing
- Bend radius of the chrome gooseneck tubing is 2-3" (51 - 76)*
- Easily adjustable, precise positioning offers complete control of light placement
- Dual models illuminate a workspace with a single light source
- Gooseneck legs placed in opposing positions create shadow-free illumination
- Modified standard and custom configurations are available

Combination Goosenecks and Bundles Specifications

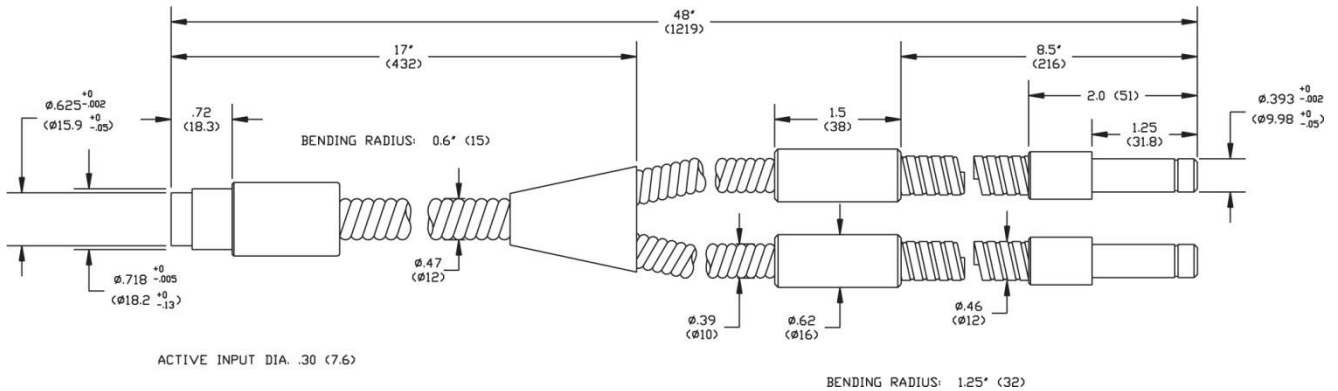
Part No.	Active Input Fiber	Active Output Fiber Diameter	Bundle Tubing Diameter	Gooseneck Tubing Diameter	Bundle Length Diameter	Gooseneck Length
A08510	.30" (8)	.21" (5)	.47" (12)	.46" (12)	17" (432)	8.5"(216)
A08512	.30" (8)	.21" (5)	.47" (12)	.46" (12)	29" (737)	17"(432)
A08520	.30" (8)	.21" (5)	.47" (12)	.46" (12)	30" (762)	18"(457)
A08520.60	.30" (8)	.21" (5)	.47" (12)	.46" (12)	60" (1524)	18"(457)

Dimensions in () are in mm

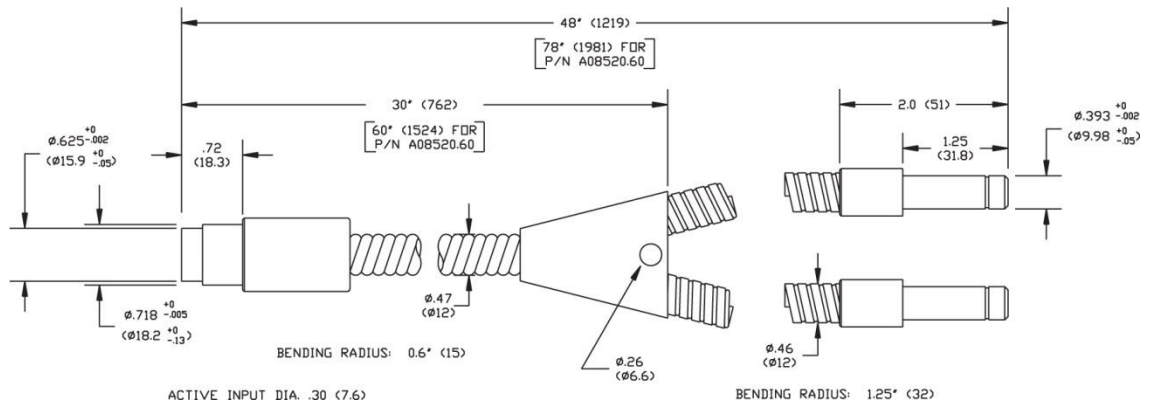
Version 01.2017



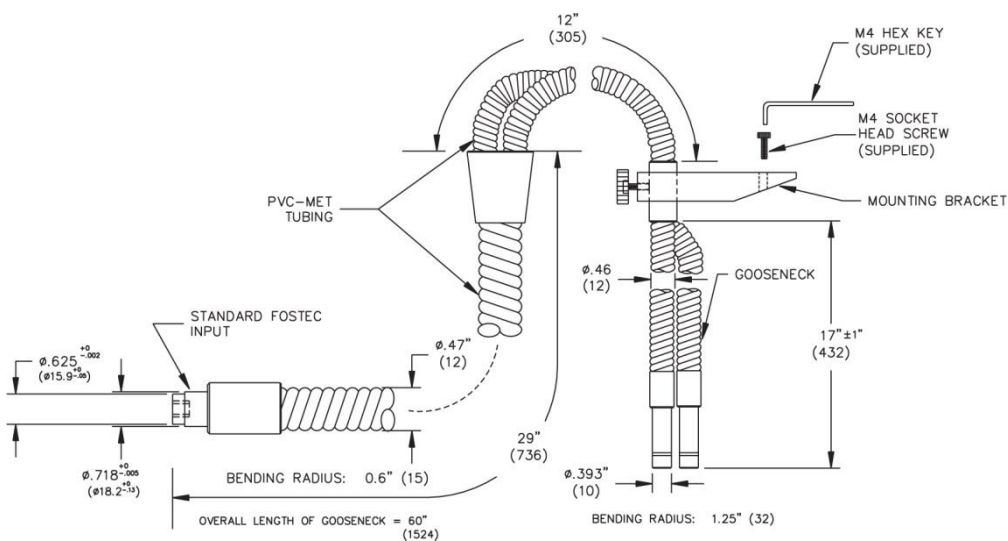
Combination Gooseneck and Bundle Specifications



Combination Gooseneck and Bundle, A08510



Combination Gooseneck and Bundle, A08520 – A08520.60



All specifications are subject to change without prior notice. This datasheet or any extracts thereof may only be used in other publications with express permission of SCHOTT. © SCHOTT AG

Lighting and Imaging
SCHOTT AG
 Hattenbergstrasse 10
 55122 Mainz
 Germany
 Phone: +49 (0) 6131/66-7796
 Fax: +49 (0) 6131/66-7850
 lightingimaging@schott.com
 www.schott.com/lightingimaging

SCHOTT
 glass made of ideas