

VisiLED ACT Base (Advanced Contrast Transmitted)

Illumination system specially developed for stereo microscopy and microscopy applications.



Features

- Easily adaptable to microscope bases.
- Homogeneous illumination.
- Best white quality: typically 6,000 K.
- Long operating life: typically 50,000 h by actively controlling the LED chip temperature.
- Segments controllable in different present modes for optimum contrasting:

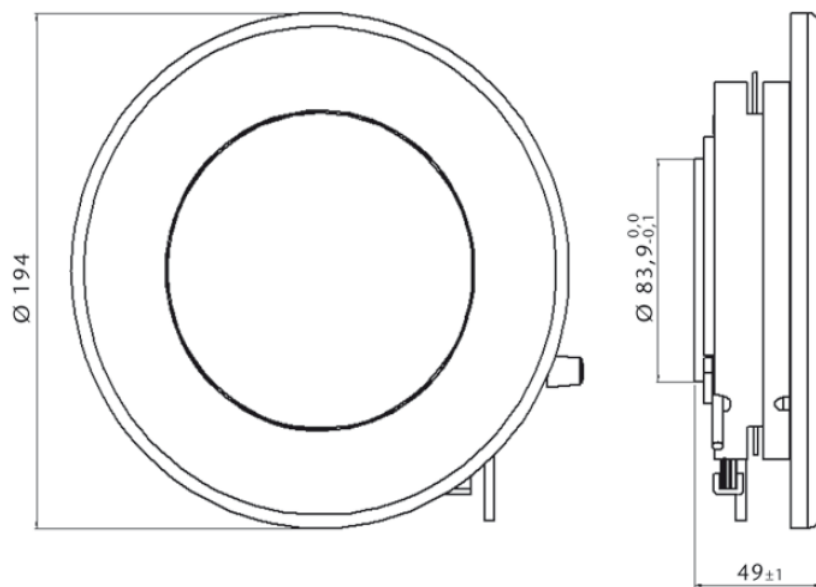


Benefits

- Examining structures of low contrast, uncolored specimen.
- Phasing specimen that are scarcely recognizable in direct brightfield.

VisiLED ACT Base				
Part. No.	Max Luminance	Inner Ø	Outer Ø	Dimensions
400 600	8000 cd/m ² in center	active 50 mm (1.97")	84 mm (3.36")	Ø 193 x 48 mm (Ø 7.12 x 1.92")

VisiLED ACT Base (Advanced Contrast Transmitted)



All specifications are subject to change without prior notice. This datasheet or any extracts thereof may only be used in other publications with express permission of SCHOTT. © SCHOTT AG

Lighting and Imaging
SCHOTT AG
Hattenbergstrasse 10
55122 Mainz
Germany
Phone: +49 (0) 6131/66-7796
Fax: +49 (0) 6131/66-7850
lightingimaging@schott.com
www.schott.com/lightingimaging

SCHOTT
glass made of ideas