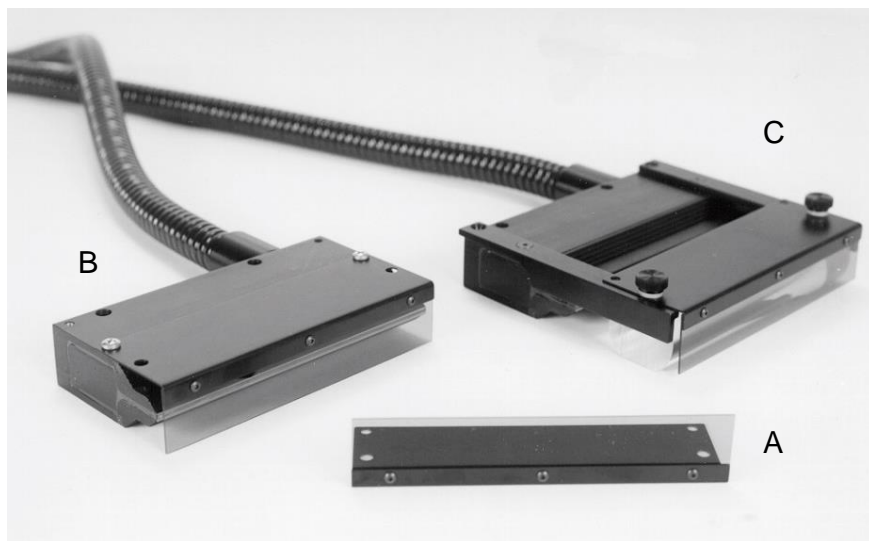


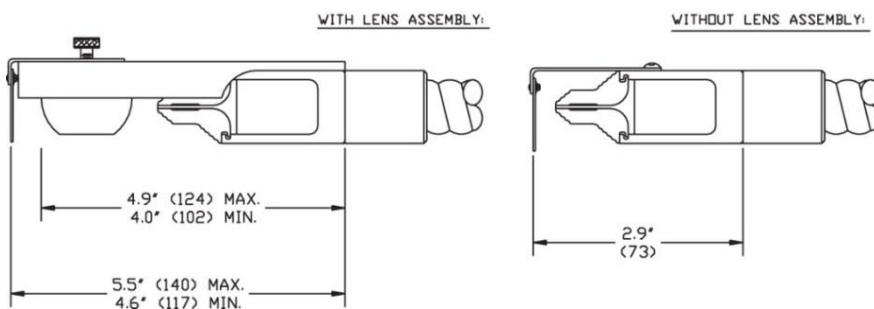
Lightline Linear Polarizer Kits



(A) Lightline polarizer assembly, A08845,
 (B) Polarizer affixed to a 5" lightline,
 (C) Polarizer affixed to a cylindrical lens
 on a lightline

Product and Performance Characteristics

- Developed for use with 3" to 16" (227 to 406 mm) lightlines to enhance contrast on highly reflective surfaces for area and line scanning applications
- Easily mount on SCHOTT lightlines alone or with cylindrical and apertured lenses affixed to the lightline
- Polarizer(s) should be used with an analyzer supplied by the customer which is typically attached to the camera objective
- Two polarizers are included in the kit; one polarizes in the horizontal axis and the other polarizes in the vertical axis
- Most options are made-to-order or custom



Dimensions in () are in mm

Lightline Part No.	Polarizer Kits Part No.
A08903	Custom
A08904	*A08844
A08906	Custom
A08908	Custom
A08910	Custom
A08912	Custom
A08914	Custom
A08916	Custom
A08975	Custom
* Made-to-order product	

Version 01.2016

