

EasyLED Spotlights

Ergonomic and compact illumination system for stereo microscopy and macroscopy



Spotlight Plus System



Double Spotlight Plus System

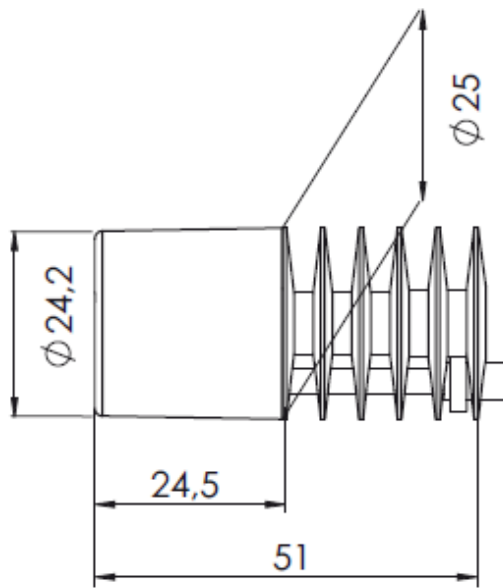
Features Spotlight Plus

- Spotlight Plus adaptors for all stands plus stand-alone version available
- Double Spotlight Plus with switching feature:
LED head 1 ON, LED head 2 A, both LED heads ON, both LED heads off, etc.
- Max. light flux: 130 lm each spot

Spotlights	Part.No.	Front lens	Max. light flux	Adaption thread	Power Supply
Spotlight Plus System	600 101	17 mm (0.67")	130 lm	various	5 V, DC
Double Spotlight Plus System	600 121	2 x 17 mm (0.67")	2 x 130 lm	various	5 V, DC

Mounting Adaptors for Spotlight Plus System	
bracket for column Ø 25 mm (0.98")	120 225
bracket for column Ø 29 mm (1.14")	120 229
bracket for column Ø 32 mm (1.26")	120 232
bracket for column Ø 35 mm (1.38")	120 235
Base for stand-alone application	158 340
Bracket for stand-alone application	120 250
Bracket for ZEISS stand K, stand M	120 240

EasyLED Spotlights



EasyLED Spotlight Plus and Spotlight Plus

All specifications are subject to change without prior notice. This datasheet or any extracts thereof may only be used in other publications with express permission of SCHOTT. © SCHOTT AG

Lighting and Imaging
SCHOTT AG
Hattenbergstrasse 10
55122 Mainz
Germany
Phone: +49 (0) 6131/66-7796
Fax: +49 (0) 6131/66-7850
lightingimaging@schott.com
www.schott.com/lightingimaging

SCHOTT
glass made of ideas