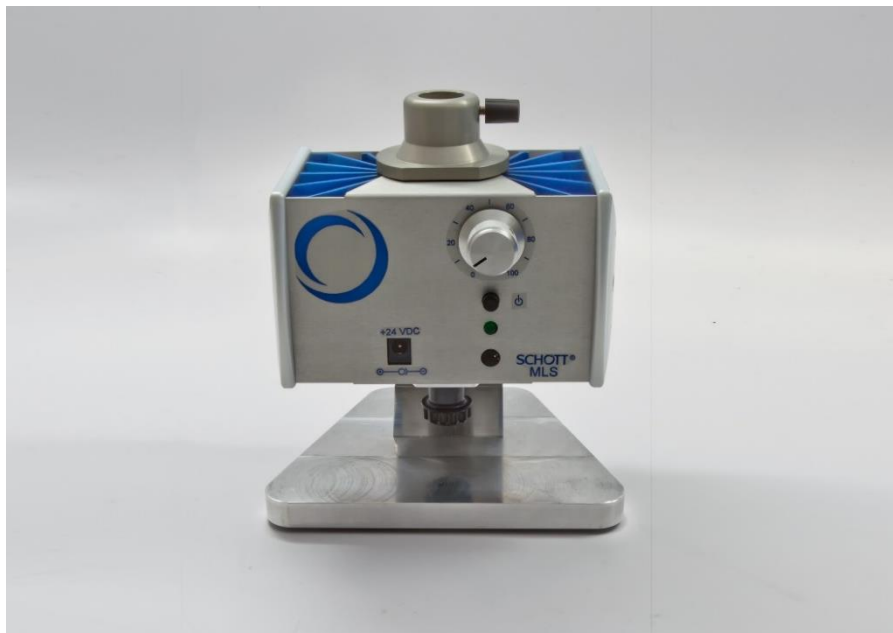


# MLS – Microscopy LED Light Source

Longer Life, Lower Energy Consumption, Higher Performance, Compact Design



MLS Light Source, A20400

## MLS Light Source Models

Part Number	Color	Light Output*
A20400/6000	White – 6000 K	> 360 lm
A20410	Handheld Remote (On/Off, pulse, intensity control)	
A20411	Remote Footswitch (On/Off)	
A20420	Pedestal Mount	
A20421	Adapter KL 200/300	

\*Light output specifications are measured with a 1 m long, 13 mm diameter bundle (A0851.40 bundle)

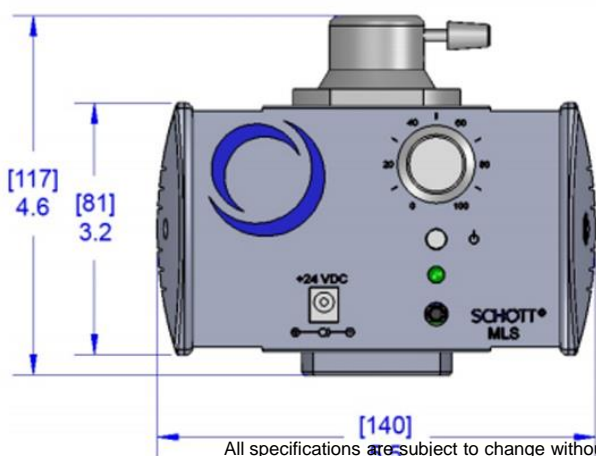
## Product and Performance Characteristics

The SCHOTT MLS offers several advantages over other types of fiber optic light sources used in microscopy & static machine vision applications, including:

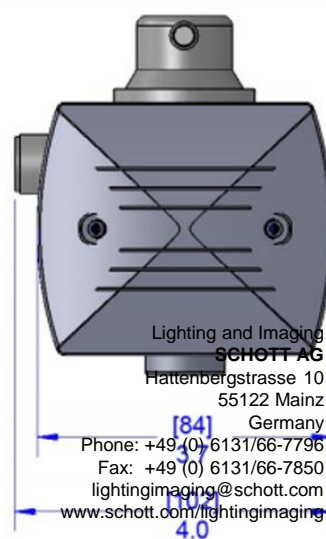
- Long-life of LED light engine
- Fan-less vibration free operation
- Fits all COLDVision light guides
- Stable light output with minimal variation in color temperature
- Low power consumption (~18 watts)
- Small footprint and world-wide, universally compatible power supply with interchangeable plugs
- Optional light On/Off control via handheld remote or footswitch. Handheld remote also controls light output intensity.
- Mounting Options: (available separately)
  - Pedestal Mount
  - Post Mounts via KL200 LED Series
- Temperature monitoring for protection of the LED light engine
- RoHS compliant & CE Approved ESD outlet connection.

Characteristics	
Dimensions	Length: 102 mm (4 inches) Width: 140 mm (5.5 inches) Height: 117 mm (4.6 inches)
Weight	0.8 kg (1.7 lbs)
Operating Temperature	5° C (41° F) to 40° C (104° F)
Color Temperature	6000 K
Power Consumption	~ 18 Watts

### Dimensions in inches and [mm]

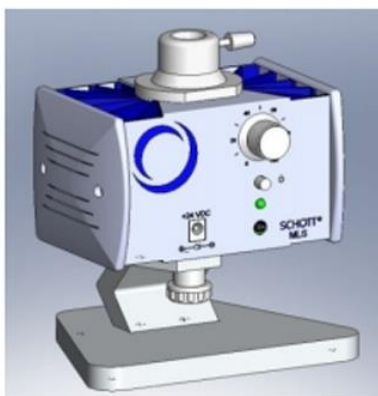


All specifications are subject to change without prior notice. This datasheet or any extracts thereof may only be used in other publications with express permission of SCHOTT. © SCHOTT AG

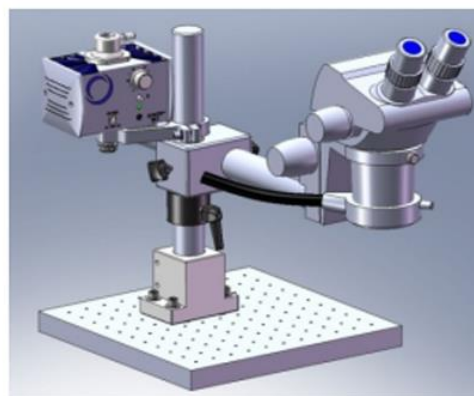


Lighting and Imaging  
**SCHOTT AG**  
 Hattenbergstrasse 10  
 55122 Mainz  
 Germany  
 Phone: +49 (0) 6131/66-7796  
 Fax: +49 (0) 6131/66-7850  
 lightingimaging@schott.com  
 www.schott.com/lightingimaging

### Mounting Options



Pedestal Mount



Adapter & KL200 LED Boom Stand Bracket

All specifications are subject to change without prior notice. This datasheet or any extracts thereof may only be used in other publications with express permission of SCHOTT. © SCHOTT AG

Lighting and Imaging  
**SCHOTT AG**  
 Hattenbergstrasse 10  
 55122 Mainz  
 Germany  
 Phone: +49 (0) 6131/66-7796  
 Fax: +49 (0) 6131/66-7850  
 lightingimaging@schott.com  
 www.schott.com/lightingimaging

