

# Mini Ringlight



Annular mini Ringlight

## Features

- Continuous ring of illumination fiber within the housing.
- Mounts directly to objective by means of thumb screw.
- Optimized illumination of the mini ringlight only requires a comparably small fiber bundle diameter.
- Therefore the SCHOTT mini ringlight has an interchangeable adaptor with removable ferrules, which allows the connection to all KL light sources.

## Benefits

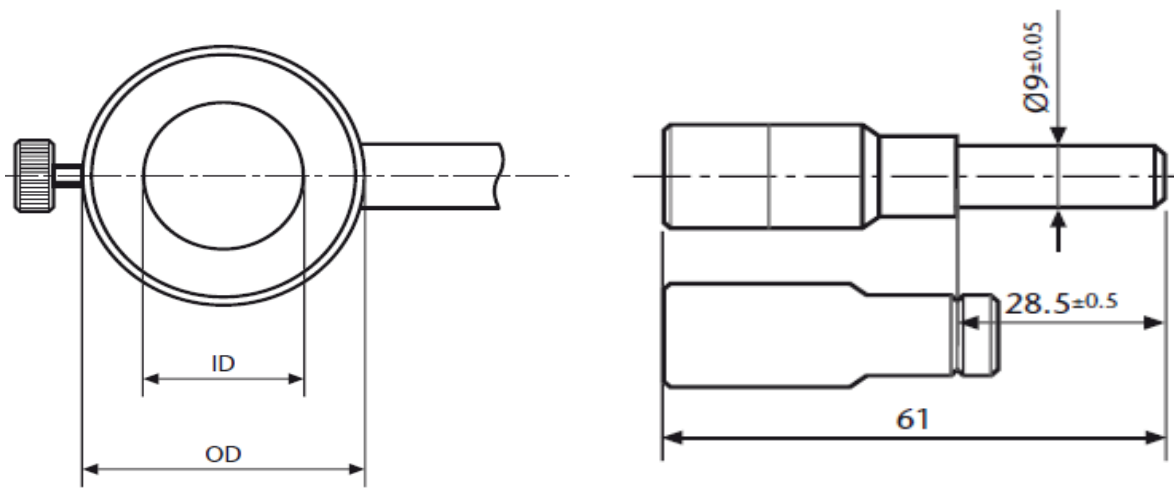
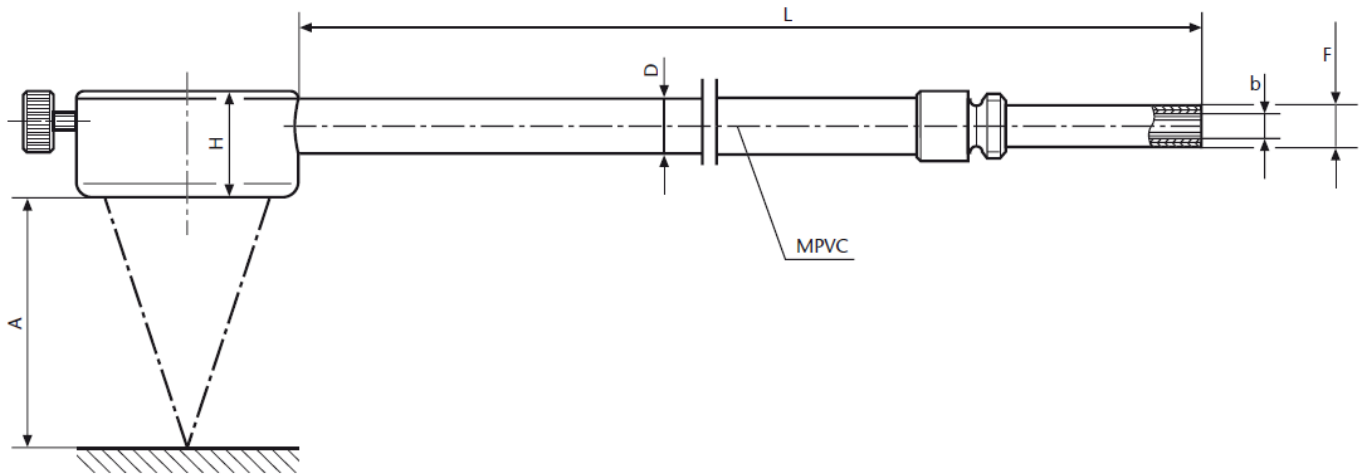
- Absolute shadow-free illumination.
- Small dimensions for easy handling.

Cold light source**	Part No.	Type	Length	Inner Ø	Outer Ø	Height	Minimum working distance*	Active Ø branch	Outer Ø Jacketing
			(L)	(ID)	(OD)	(H)	(A)	(b)	(D)
KL 300 LED KL 1600 LED KL 2500 LED KL 1500 HAL KL 2500 LCD	157 040	Slit-RL 40 mm Ø	1000 mm 39.37"	40 mm 1.58"	64 mm 2.52"	24 mm 0.95"	15 mm 0.58"	7 mm 0.28"	11.8 mm 0.47"

\* Ringlight usable in any working distance above given minimum values.

\*\* and discontinued KL 1500 products (KL 1500 compact, KL 1500 LCD, KL 1500 LED, KL 1500 LED Plus)

# Mini Ringlight



All specifications are subject to change without prior notice. This datasheet or any extracts thereof may only be used in other publications with express permission of SCHOTT. © SCHOTT AG

Lighting and Imaging  
**SCHOTT AG**  
 Hattenbergstrasse 10  
 55122 Mainz  
 Germany  
 Phone: +49 (0) 6131/66-7796  
 Fax: +49 (0) 6131/66-7850  
 lightingimaging@schott.com  
 www.schott.com/lightingimaging

