

DCR® IV Light Source

150 W halogen light source provides intense, cool illumination.



DCR® IV Light Source with DDL Lamp, A20890

Product and Performance Characteristics

- Stable output over the life of the lamp, minimized lamp to lamp variation
- All DCR® III Plus Light Source features including of the including control of up to three additional DCR® III light sources via an expansion cable (sold separately)
- Remote controllable using integrated RS232 interface, easy to use front panel controls for calibration and intensity control
- Indicator LED's located on the front panel show lamp intensity is stabilized
- Flexible - Two configurations available:
 - A. DCR® IV used with a reference Modulamp Unit and standard light guide maintains DDL lamp output at $\pm 2\%$ over the lamp life and $\pm 8\%$ lamp to lamp
 - B. For greater control, use the DCR® IV with integrated reference bundle light guides (custom item) to maintain DDL lamp output and lamp to lamp variation within $\pm 1\%$

Options

- Infinite setting, twelve blade iris diaphragm unit available to reduce intensity while maintaining color temperature (Cannot be used with reference Modulamp)
- Expansion cable

DCR® IV Light Source Models Standard with US Power Cord

Part. No.	Description
* A20890	Integrated Equalizer (complete with Reference Modulamp assembly and DDL Lamp). (Standard fiber)
* A20891	Integrated Equalizer (complete with Modulamp assembly and DDL Lamp. Does not include reference bundle). (Custom Fiber)
* Made to order Product	

DCR® IV Light Source Models EU Version – No Power Cord Included

Part. No.	Description
* A20895	Integrated Equalizer (complete with Reference Modulamp assembly and DDL Lamp).
* Made to order Product	

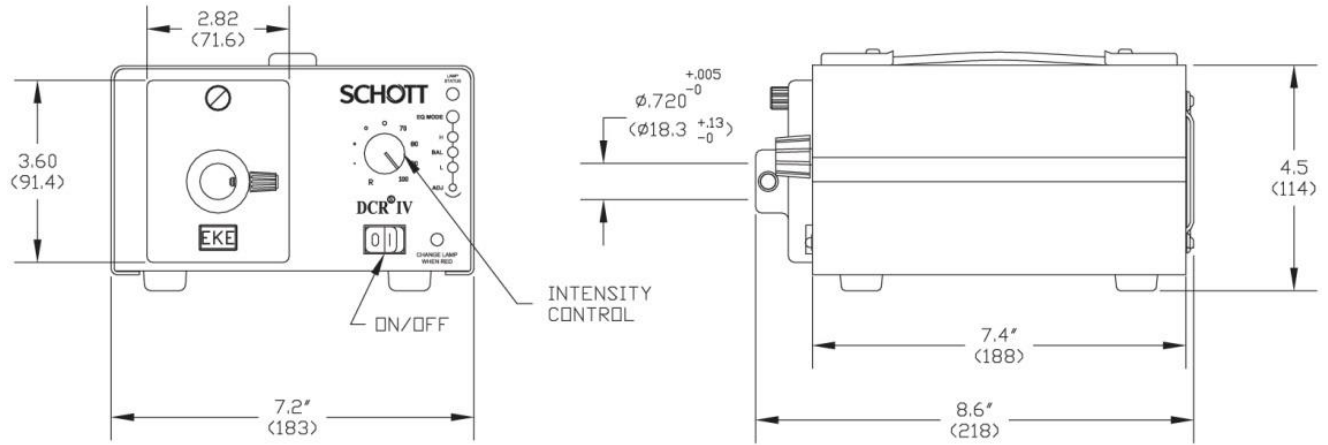
DDL lamp and Modulamp units can be purchased separately.

DDL lamp is offered as the standard lamp for this unit.



Specifications

DCR® IV Light Source



Dimensions in () are in mm

Power Supply Specification	
Light Output with Reference Modulamp Unit	±2%
Light Output with Independent Reference Bundle	±1%
Lamp to Lamp Variation with Reference Modulamp Unit	±8%
Lamp to Lamp Variation with Independent Reference Bundle	±1%
Power Supply Specifications	
Rated Power Output	150 Watts
Output Voltage	0.0, 0.5 to 20.5 VDC
Input Voltage Rating, 50/60 Hz.	90 to 265 VAC
Power Factor Correction @ 230 VAC, 50 Hz.	> 0.99, < 4°
Hold-up Time, Nominal AC Input, Full Load	8.3 milliseconds
Line Regulation, Over Entire Input Range	±0.5%
Lamp Type	DDL, Ushio or GE, 150 W Halogen Bulb
Current Limit Set Point	8.5 Amps
Temperature Range: Operating	0°C to 45°C
Storage	-25°C to 85°C
Relative Humidity, Non-condensing	5% to 95%

