

Gooseneck and Bundle Support Apparatus

For accurate positioning in both industrial and laboratory environments.

A08522 Clamp



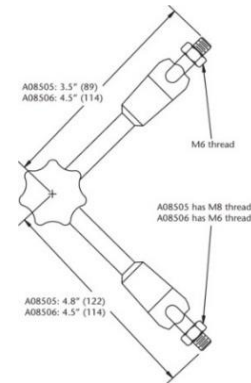
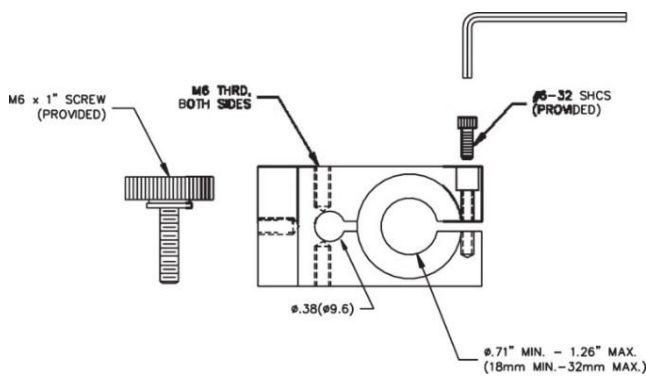
A08508 Clamp



A08505 Articulated Arm



A08506 Articulated Arm

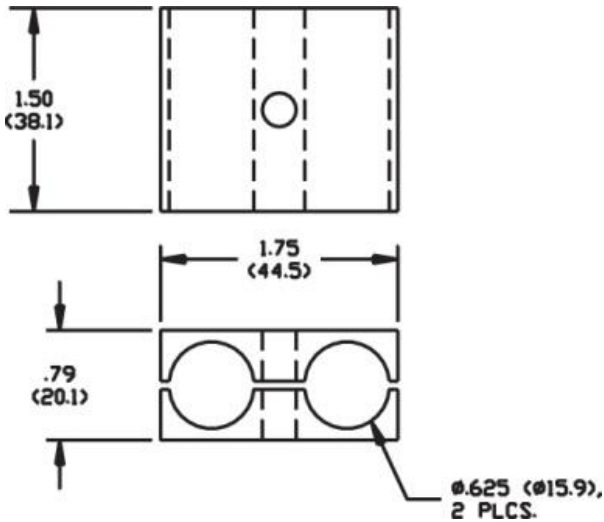


A08522 - A08528 Clamp

A08505 & A08506 Articulated Arm

Dimensions in () are in mm

A08502 Clamp Set



Support Apparatus

Part No.	Description
A08508	Bundle holder with .565" (14.4) dia. hole for all bundle diameters up to .51" (13). Has an M6 thread.

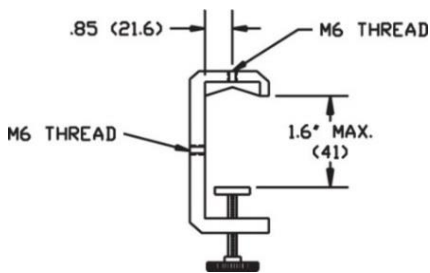
Universal Post Clamps

Part No.	Description
*A08522	Ring for 18 mm post. Zeiss IVB Stereo, IB, III, IV, IVB
*A08523	Ring for 20 mm
*A08524	Ring for 24.5 mm
*A08525	Ring for 25 mm
*A08526	Ring for 32 mm
*A08527	Ring for 22 mm
*A08528	Ring for 29 mm
* Made-to-order products	

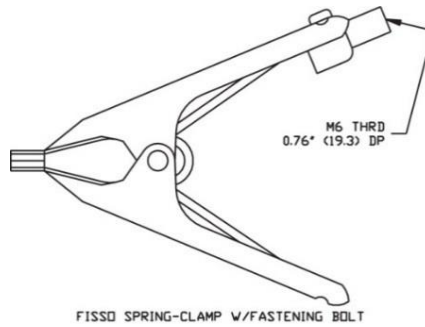
Version 01.2017



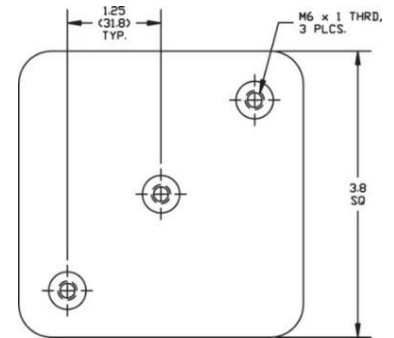
A08591 V-Clamp



A08590 Spring Clamp



A08507 Base



Dimensions in () are in mm

Support Apparatus

Part No.	Description
A08505	Articulated arm with M6 thread on one end (will attach to heavy base and V-clamp) and M8 thread on the other end which will fit our A08592 dual V-clamp.
A08506	Articulated arm with M6 threads on both ends. Versatile accessory easily locked into place with only one knob. Can be used with our base and V-clamp and will accept all holders.
A08507	3 1/2 lb. Base for attaching up to three support arms and/or posts at once. M6 threads only.
A08590	Spring Clamp with M6 thread. Industrial strength universal clamp that can be used with our articulated arms to hold bundles, light lines and other equipment. Secure to tabletops or other like sur faces.
A08591	V-Clamp with two M6 threaded holes to use as a table clamp and will accept all our holders.

