

# DCR® III Light Source

DC regulated 150 W halogen light source provides intense, cool illumination.



DCR® III Light Source with EKE Lamp, A20800

## Product and Performance Characteristics

- DC-regulated light source limits light fluctuation to  $\pm 0.5\%$  due to line voltage variation
- Universal input voltage (90 to 265 VAC), detachable IEC cord
- Current limiting – protects the unit from over heating due to defective and aging bulbs
- Transient protection – allows remote location of bulb
- Lamp change indicator light - LED located on front panel changes from green to red when lamp requires replacement
- Soft start “lamp saver” circuitry
- IR filter for cool illumination
- Solid state dimmer control for continuous dimming
- Interchangeable Modulamp Units offer 2 lamp positions to maximize individual lamp efficiencies
- Choice of two, 150 watt halogen lamps – EKE and DDL
- Built-in 9-pin connector for analog remote control
- Low housing temp – slightly above ambient, quiet fan cooling
- CSA certified to UL spec, CE compliant to low voltage and EMC directives

## Options

- Wired, manual remote control
- Infinite setting, twelve blade iris diaphragm version available to reduce intensity while maintaining color temperature

## DCR® III Light Source Models Standard with US Power Cord

Part. No.	Lamp
A20800	EKE Lamp
A20800.2	DDL Lamp

## DCR® III Light Source Model without Modulamp Unit . With US Power Cord

Part. No.	Lamp
* A20801	No Lamp. Power Supply Only
* Made-to-order products	

## DCR® III Light Source Models EU Version – No Power Cord Included

Part. No.	Lamp
A20820	EKE Lamp
A20820.2	DDL Lamp

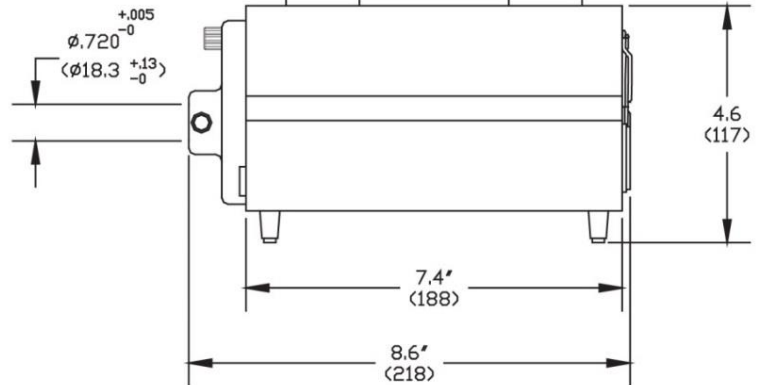
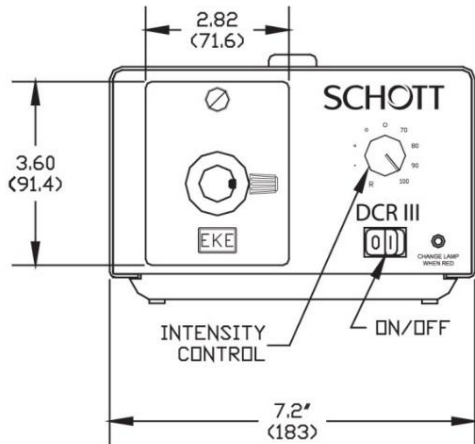
Modulamp... SCHOTT Innovation! Two positions optimize light intensity output, depending on the lamp in use. Entire housing is interchangeable for quick setup.

Choice of Lamps.. SCHOTT Versatility! Two different bulbs (EKE, DDL) offer light intensity and color temperature options to maximize productivity and accuracy.

EKE, DDL lamps and Modulamp units can be purchased separately

## Specifications

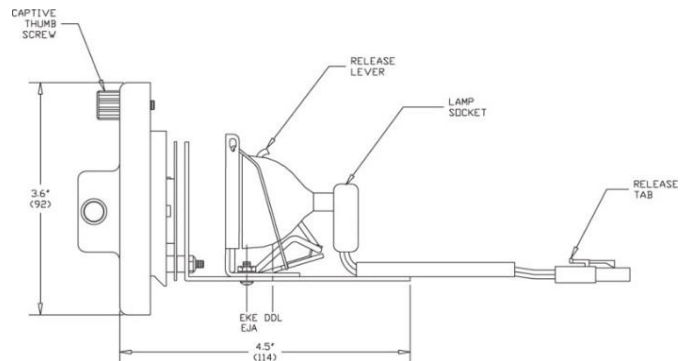
### DCR® III / DCR® III Plus Light Source



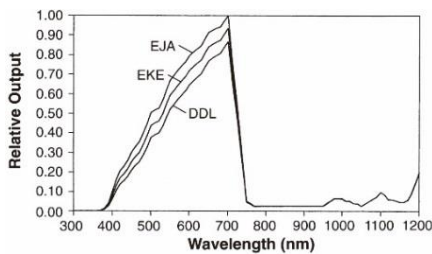
Input: 115/230 VAC – 50/60 Hz, Output: 0–20.5 VDC

Dimensions in ( ) are in mm

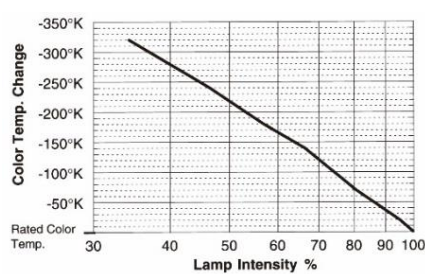
Power Supply Specification	
Rated power output	150 Watts
Output voltage	0.0, 0.5 to 20.5 VDC
Input voltage rating 50/60 Hz	90 to 265 VAC
Power factor correction @ 230 VAC, 50 Hz	> 0.99, < 4°
Hold-up time, nominal AC input, full load	8.3 milliseconds
Line regulation, over entire input range	± 0.5%
Current limit set point	8.5 Amps
Temperature range operating	0°C to 45°C
Temperature range storage	-25°C to 85°C
Relative humidity, non-condensing	5% to 95%



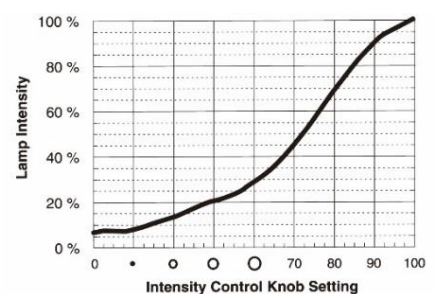
### Spectral Curves w/Interference IR Filter



### Color temperature Change vs. Lamp Intensity



### Lamp Intensity vs. Intensity Control Knob Setting



All specifications are subject to change without prior notice. This datasheet or any extracts thereof may only be used in other publications with express permission of SCHOTT. © SCHOTT AG

Lighting and Imaging  
**SCHOTT AG**  
 Hattenbergstrasse 10  
 55122 Mainz  
 Germany  
 Phone: +49 (0) 6131/66-7796  
 Fax: +49 (0) 6131/66-7850  
 lightingimaging@schott.com  
 www.schott.com/lightingimaging

**SCHOTT**  
 glass made of ideas