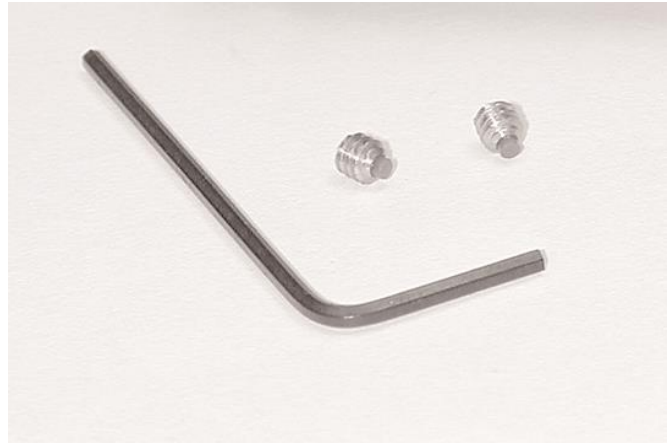


# Bundle Extenders

Extends the working length of standard fiber optic components using a SCHOTT bundle and these couplers.



Bundle Extender, A08035



Bundle Extender Nylon tipped Set Screws

## Product and Performance Characteristics

- Reduces the requirement for custom fiber optic lengths, can provide the user with additional work space
- Extends length of all standard SCHOTT ringlights, bundles, goosenecks, lightlines, and backlights\* that have a .310" (8) or .510" (13) active fiber diameter (see chart)
- Black anodized aluminum with nylon tipped set screws

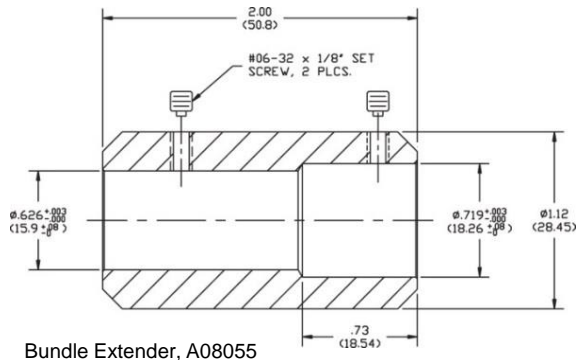
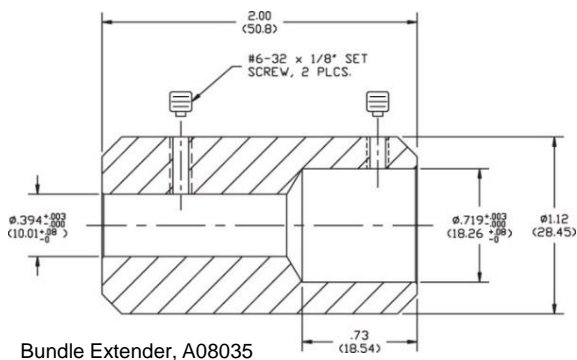
### PLEASE NOTE:

- \* Using a bundle extender results in a 30-40% light loss. If your application requires maximum intensity, we recommend ordering a modified standard component.
- \* Backlight adapter, part number A08931 is required in order for the bundle extender to be used with SCHOTT standard backlights

## Bundle Extender

Part No. Bundle Extender	Part No. Single Bundle
A08035	A08031.40 A08031.60 A08031.80 A08031.40R A08031.60R A08031.80R
A08055	A08051.40 A08051.60

Dimensions in ( ) are in mm



Version 01.2017

