

Annular Ringlights



Annular ringlight 58 mm



Annular ringlight 66 mm

Features

- Continuous ring of illumination fiber within the housing.
- Variety of adaptors available for other objective series.
- Ringlights fit either 66 or 58 mm standard objectives.
- Mounts directly to objective by means of thumb screw.
- Housing made of rugged, black anodized aluminium.
- Fiber bundle protected with flexible metal PVC sheathing.

Benefit

- Absolute shadow-free illumination and no interference with light guides in work area.

Cold light source**	Part No.	Type	Length	Inner Ø	Outer Ø	Height	Minimum working distance*	Active Ø branch	Outer Ø Jacketing	Light source adaptor Ø
			(L)	(ID)	(OD)	(H)	(A)	(b)	(D)	
KL 1500 HAL KL 1600 LED KL 2500 LED KL 2500 LCD	157 410	Slit-RL 58 mm Ø	1000 mm 39.37"	58 mm 2.28"	88 mm 3.47"	26 mm 1.02"	25 mm 0.98"	9 mm 0.35"	15 mm 0.59"	10 mm 0.39"
	157 420	Slit-RL 66 mm Ø	1000 mm 39.37"	66 mm 2.60"	96 mm 3.78"	26 mm 1.02"	25 mm 0.98"	9 mm 0.35"	15 mm 0.59"	10 mm 0.39"

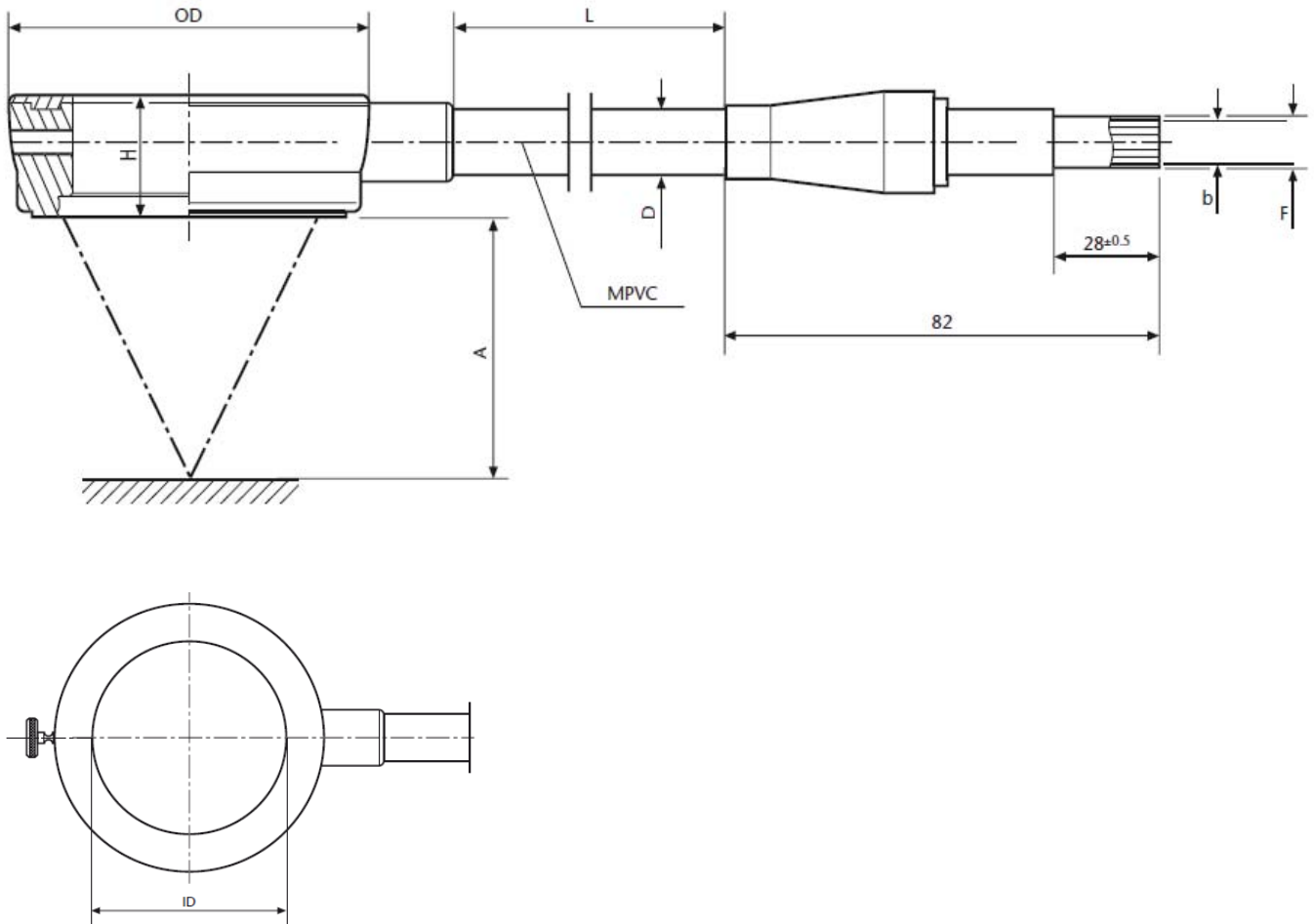
* Ringlights usable in any working distance above given minimum values.

** and discontinued KL 1500 products (KL 1500 compact, KL 1500 LCD, KL 1500 LED, KL 1500 LED Plus)

Polarizers for annular ringlights	Part No.	
Ø 58 mm	158 440	Polarization filter set for annular ringlight consist out of polarizer and analyzer
Ø 66 mm	158 430	Polarization filter set for annular ringlight consist out of polarizer and analyzer

Objective adaptors	Part No.
Ø 58 mm to Ø 66 mm	157 450
Ø 60 mm to Ø 66 mm	157 452

Annular Ringlights



All specifications are subject to change without prior notice. This datasheet or any extracts thereof may only be used in other publications with express permission of SCHOTT. © SCHOTT AG

Lighting and Imaging
SCHOTT AG
 Hattenbergstrasse 10
 55122 Mainz
 Germany
 Phone: +49 (0) 6131/66-7796
 Fax: +49 (0) 6131/66-7850
 lightingimaging@schott.com
 www.schott.com/lightingimaging

