

# Diffusing Facelight



Diffusing Facelight

## Features

- Diffuse and uniform illumination within a certain active area.
- A white acrylic diffuser plate provides an optimum combination of uniformity and intensity.
- Mounts directly to respective light guide by means of thumb screw.
- Housing made of rugged, black anodized aluminum.
- Fiber bundle protected with flexible metal PVC sheathing.
- Manufactured in the EU.

## Benefit

- Illumination of polished or high reflective surfaces.

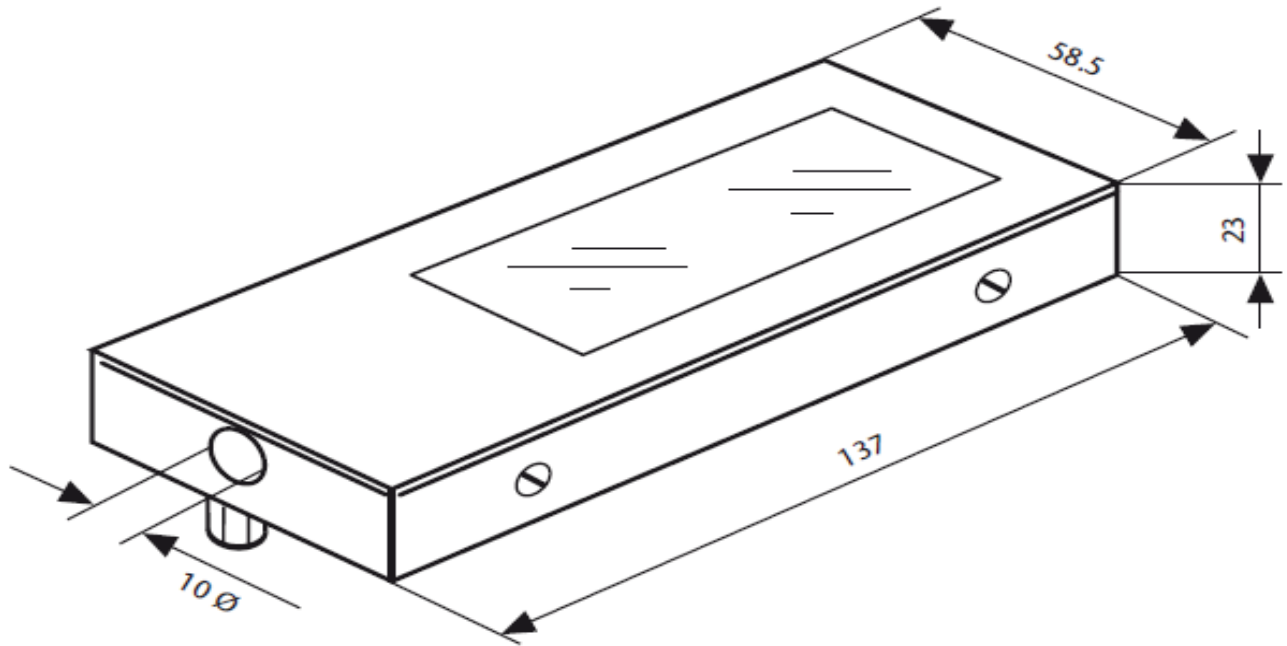
Cold light source	Part. No.	Active Area	Housing Dimensions	Connection for end tip Ø	Connection for end tip length	Mounting
			(L)	(ID)	(OD)	
KL 1500 HAL KL 1600 LED KL 2500 LED KL 2500 LCD	500 100	78 x 30 mm 3.12" x 1.2"	137 x 58.5 x 23 mm 5.64" x 2.34" x 0.92"	10 mm 0.39"	20 mm 0.79"	2 M6 holes*

Fitting light guides	Part. No.	
KL 1500 HAL KL 1600 LED KL 2500 LED KL 2500 LCD	155 103	1 branch, flexible
KL 2500 LCD only	255 204	2 branch, flexible, randomized

\* Refer to articulating arm. (Part-No. 158 345)

\*\* and discontinued KL 1500 products (KL 1500 compact, KL 1500 LCD, KL 1500 LED, KL 1500 LED Plus)

## Diffusing Facelight



All specifications are subject to change without prior notice. This datasheet or any extracts thereof may only be used in other publications with express permission of SCHOTT. © SCHOTT AG

Lighting and Imaging  
**SCHOTT AG**  
Hattenbergstrasse 10  
55122 Mainz  
Germany  
Phone: +49 (0) 6131/66-7796  
Fax: +49 (0) 6131/66-7850  
lightingimaging@schott.com  
[www.schott.com/lightingimaging](http://www.schott.com/lightingimaging)

**SCHOTT**  
glass made of ideas