

# SCHOTT Compact Reading Light

**SCHOTT Discus** – next generation LED Reading Light



## Technical Information

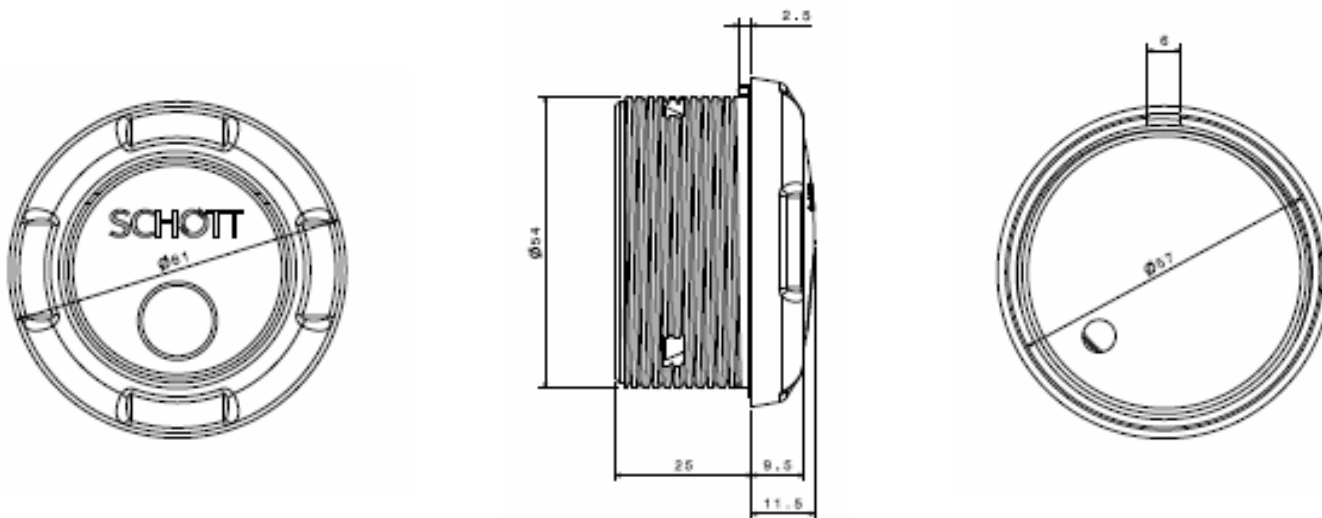
SCHOTT Discus II is the youngest member of the SCHOTT Compact In-Seat Reading Light family and completes the range of small and economic lighting solutions. Its light, slim and elegant design fits perfectly into all kinds of surfaces like seat shells, wall or ceiling panels.

The light can be switched on or off by a soft touch on the central light output. Rotating the crown allows an easy adjustment of the light cone for an individual and personalized illumination.

Qualification in preparation for all AIRBUS and all BOEING Aircraft.

**SCHOTT**  
glass made of ideas

Technical Specification	
Wide input voltage range	5 V to 28 V DC
Total current @ full on	max. 100 mA
Switching sequence	On - Off
Power consumption / max power dissipation @ full on	max. 1 W
Number of LEDs	1
Weight	100 g
Luminance	Typical 280 lx @ 410 mm distance
Color temperature	5500 K $\pm$ 10 %
Rotation	$\pm$ 30°
Dimensions	see below



**For more information please contact:**

**Aviation**

SCHOTT AG

Otto-Schott-Str. 2

55127 Mainz

Germany

Phone: +49 (0)6131/660

Fax: +49 (0)6131/667850

E-mail: [info.aviation@schott.com](mailto:info.aviation@schott.com)

[www.schott.com/aviation](http://www.schott.com/aviation)

**SCHOTT**  
glass made of ideas