

SCHOTT® HelioBasic

Small, compact, lightweight LED Lightsource ...



Product Characteristics

The **SCHOTT® HelioBasic** is a small but very efficient LED lightsource that was developed especially for the combination with our fiber optic components and harnesses. **SCHOTT® HelioBasic** is perfect when space is limited but a high light output is requested. **SCHOTT® HelioBasic** is a smart and compact solution that is compliant to all Airbus and Boeing regulations.

Qualification in preparation for all AIRBUS and BOEING Aircraft.

SCHOTT
glass made of ideas

Technical Specifications

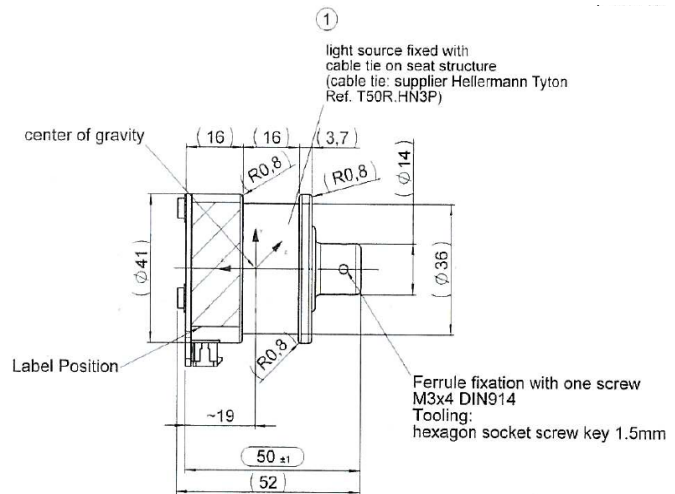
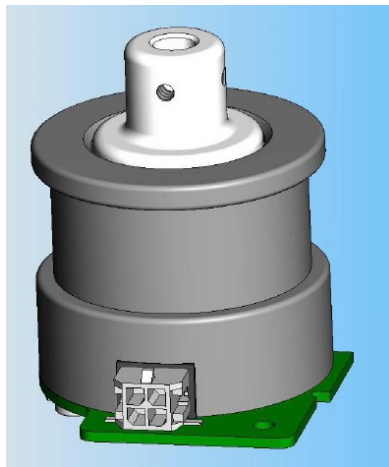
Power Input	5 – 28 VDC
Power consumption	Typ. 1,5 W @ 24 V, max. 3,5 W @ 28 V (depends on required brightness setting)
Control	Via Passenger Control Unit or Galley Control Unit or On/Off
Typical LED lifetime	50.000 h
Color	various single colours/RGB on request
Dimensions	52 mm height, 39 mm diameter
Max. weight	150 g

Recommended Applications/Associated products

Star Ceiling „SCHOTT® HelioStar“

Side Light „SCHOTT® HelioLine“ for cabin moodlighting

Light Spot „SCHOTT® HelioSpot“ on various monuments



For more information please contact:

Aviation

SCHOTT AG
Otto-Schott-Str. 2
55127 Mainz
Germany

Phone: +49 (0)6131/660
Fax: +49 (0)6131/667850
E-mail: info.aviation@schott.com
www.schott.com/aviation

All specifications are subject to change without prior notice. This datasheet or any extracts thereof may only be used in other publications with express permission of SCHOTT.
© SCHOTT AG

SCHOTT
glass made of ideas