

# SCHOTT Premium Reading Light

## SCHOTT Polar, SCHOTT Comet

SCHOTT pioneered the market for seat-mounted solutions with its in-seat Reading Lights.

Two examples out of this product family are the Reading Lights **SCHOTT Polar** and **SCHOTT Comet**. They convince with their outstanding design and the highly efficient light output. The fittings can be adjusted individually and guarantee the optimal illumination of the passenger's private area without disturbing the neighbour seat.



The **SCHOTT Comet** Reading Light is a headrest mounted solution. 18 LEDs offer a bright but less intrusive illumination. The rigid tube and ball-and-socket joint allows an individual adjustment by the user.



**SCHOTT Polar** is a multifunctional adaptable Reading Light. 12 LEDs are included and offer an optimal illumination for mounting in walls or seat shells.

### Seat- and wall-mounted reading lights

Localized lighting with a well-defined beam shape

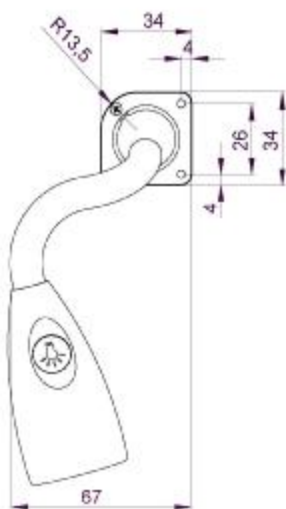
Directionally adjustable by the user

Less intrusive to passengers nearby

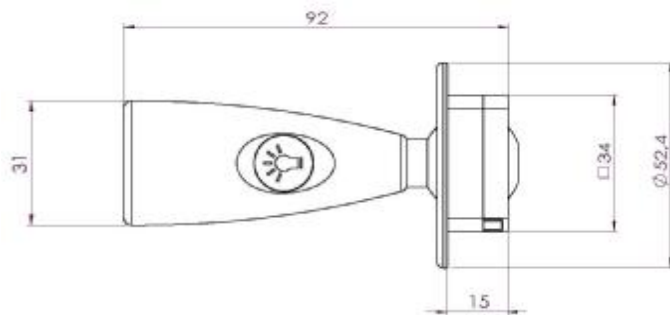
Low power consumption of typically 0.8 to 1.8 W per seat means very low operating costs

## Specifications

	SCHOTT Comet	SCHOTT Polar
Power supply	12 to 17 VDC	11 to 13 VDC
Total current at full on	115 mA, 10 mA ripple	70 mA, 10 mA ripple
Power consumption @ full power	Max. 2.15 W	Max. 1.1 W
quiescent	Max. 0.3 W	Max. 0.2 W
Number of LEDs	18	12
Weight (typical)	Approx. 210 g	Approx. 180 g



**SCHOTT Comet**



**SCHOTT Polar**

### For more information please contact:

#### Aviation

SCHOTT AG  
Otto-Schott-Str. 2  
55127 Mainz  
Germany  
Phone: +49 (0)6131/660  
Fax: +49 (0)6131/667846  
E-mail: [info.aviation@schott.com](mailto:info.aviation@schott.com)  
[www.schott.com/aviation](http://www.schott.com/aviation)

#### Aviation

SCHOTT North America  
122 Charlton Street  
Southbridge, MA 01550  
USA  
Phone: +1 508/7653235  
Fax: +1 508/7647361  
E-mail: [info.aviation@schott.com](mailto:info.aviation@schott.com)  
[www.us.schott.com/aviation](http://www.us.schott.com/aviation)

**SCHOTT**  
glass made of ideas