

SCHOTT Premium Reading Light

SCHOTT® Polar, SCHOTT® Comet



Seat- and wall-mounted reading lights

Localized lighting with a well-defined beam shape

Directionally adjustable by the user

Less intrusive to passengers nearby

Low power consumption of typically 0.8 to 1.8 W per seat means very low operating costs

Qualification in preparation for all AIRBUS and BOEING Aircraft.

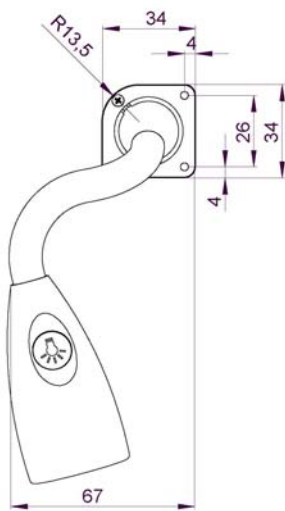


The **SCHOTT® Comet** Reading Light is a headrest mounted solution. 18 LEDs offer a bright but less intrusive illumination. The rigid tube and ball-and-socket joint allows an individual adjustment by the user.

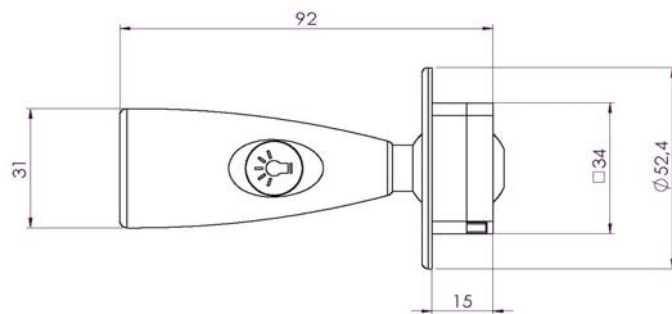


SCHOTT® Polar is a multifunctional adaptable Reading Light. 12 LEDs are included and offer an optimal illumination for mounting in walls or seat shells.

Specifications		
	SCHOTT® Comet	SCHOTT® Polar
Power supply	12 to 17 VDC	11 to 13 VDC
Total current at full on	115 mA, 10 mA ripple	70 mA, 10 mA ripple
Power consumption @ full power	Max. 2.15 W	Max. 1.1 W
quiescent	Max. 0.3 W	Max. 0.2 W
Number of LEDs	18	12
Weight (typical)	Approx. 210 g	Approx. 180 g



SCHOTT® Comet



SCHOTT® Polar

For more information please contact:

Aviation

SCHOTT North America, Inc.
122 Charlton Street
Southbridge, MA 01550
USA

Phone: +1 508/7653235

Fax: +1 508/7647361

E-mail: info.aviation@schott.com

www.us.schott.com/aviation

SCHOTT
glass made of ideas