

SCHOTT HelioBasic

Small, compact, lightweight LED Lightsource ...



Product Characteristics

The **SCHOTT HelioBasic** is a small but very efficient LED lightsource that was developed especially for the combination with our fiber optic components and harnesses. **SCHOTT HelioBasic** is perfect when space is limited but a high light output is requested. **SCHOTT HelioBasic** is a smart and compact solution that is compliant to all Airbus and Boeing regulations.

Qualification in preparation for all AIRBUS and BOEING Aircraft.

Technical Specifications

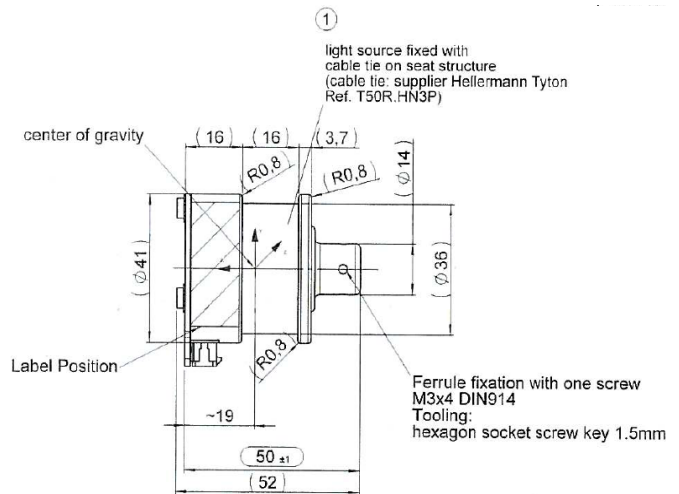
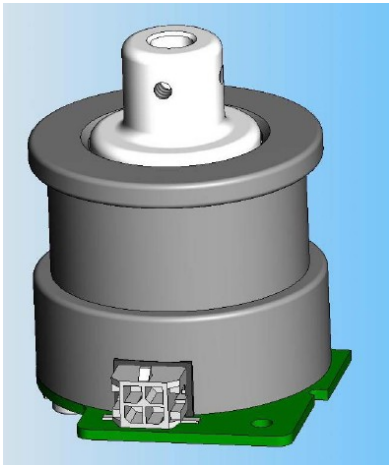
| | |
|----------------------|---|
| Power Input | 5 – 28 VDC |
| Power consumption | Typ. 1,5 W @ 24 V, max. 3,5 W @ 28 V (depends on required brightness setting) |
| Control | Via Passenger Control Unit or Galley Control Unit or On/Off |
| Typical LED lifetime | 50.000 h |
| Colour | various single colours/RGB on request |
| Dimensions | 52 mm height, 39 mm diameter |
| Max. weight | 150 g |

Recommended Applications/Associated products

Star Ceiling „SCHOTT HelioStar“

Side Light „SCHOTT HelioLine“ for cabin moodlighting

Light Spot „SCHOTT HelioSpot“ on various monuments



For more information please contact:

Aviation

SCHOTT North America

122 Charlton Street

Southbridge, MA 01550

USA

Phone: +1 508/7653235

Fax: +1 508/7647361

E-mail: info.aviation@schott.com

www.us.schott.com/aviation

SCHOTT
glass made of ideas