

SCHOTT® Helio Star

Night Sky simulation with fiber optic harnesses and LED light sources



Design and special effects is one key element of cabin interior. An amazing effect for the passenger creates a subtle “starry sky” in the cabin ceiling. Not only that night sky simulations calms passenger down it also creates the illusion of additional space and higher ceiling.

Highly flexible fiber bundles in combination with an LED Light Sources are used to achieve high MTBF figures and reduce the installation and maintainability times.

Up to 30 light dots can be created through one single LED. The cable consists of a fiber bundle with Kevlar fixation and is protected by a braided glass silk as sheathing, which is impregnated by blackened silicone.

SCHOTT® Helio Star

Spectacular effects, with large design varieties

Extremely cost-effective per light point

No additional wiring on the Panels

Easy to maintain and install

Fully flammability proved according to DO-160 as well as ABD 0031

Bending radius of the single fiber below 5 mm

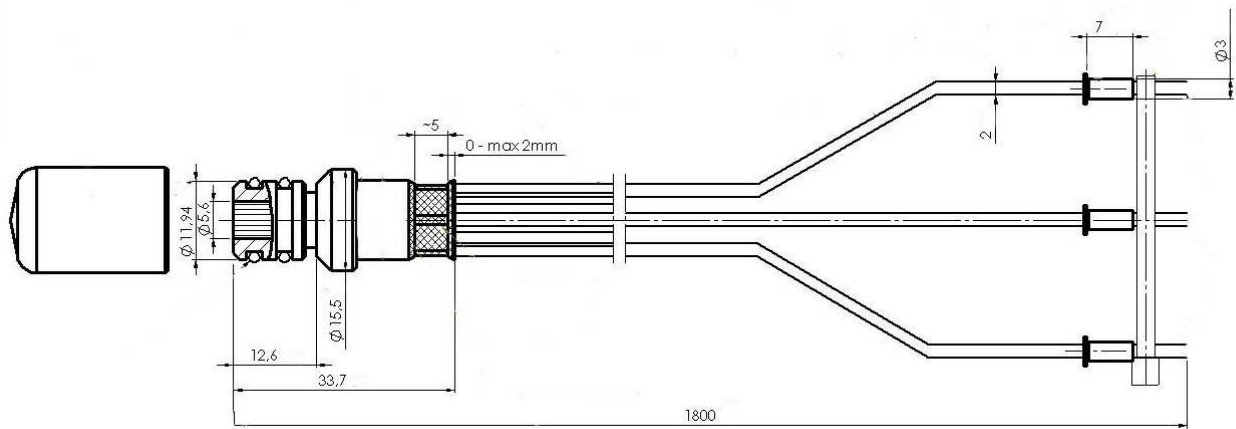
Fully qualified for commercial aircrafts

1 single LED can create up to 30 Light dots

One square millimeter consists of 280 single fibers

Specifications

Fiber material	Optical glass
sheathing	Glass silk, impregnated with black silicon varnish
color	black
lubricant	Type S 10
Fiber diameter	50µm +/- 4 µm
Bundle Diameter	1.0 + 0.15 / -0.15 mm
Outer Diameter	2.0 +/- 0.2 mm
Minimum Bending Radius	4 mm



For more information please contact:

Aviation

SCHOTT AG
Otto-Schott-Str. 2
55127 Mainz
Germany

Phone: +49 (0)6131/660
Fax: +49 (0)6131/667850
E-mail: info.aviation@schott.com
www.schott.com/aviation

All specifications are subject to change without prior notice. This datasheet or any extracts thereof may only be used in other publications with express permission of SCHOTT.
© SCHOTT AG

SCHOTT
glass made of ideas