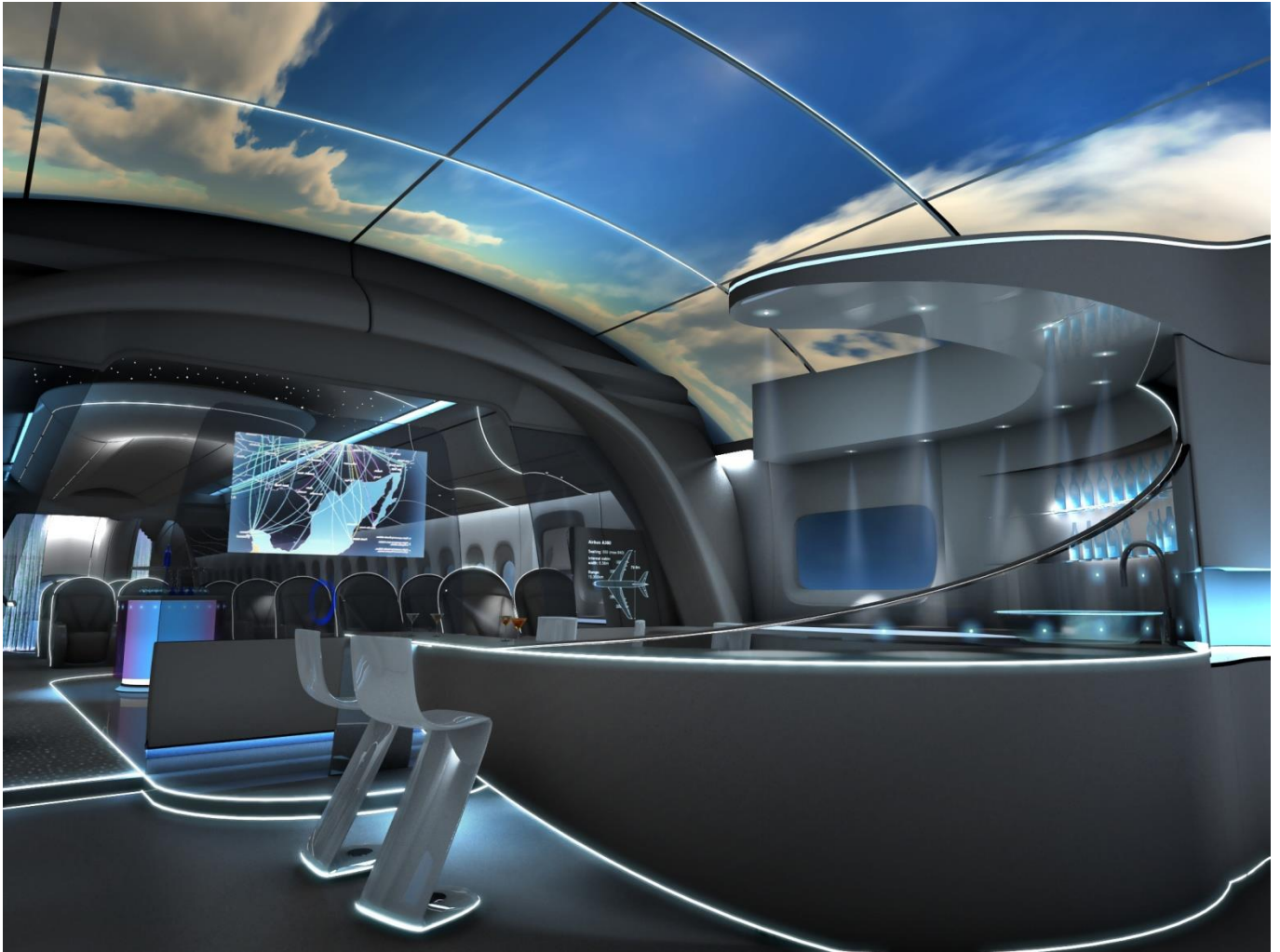


SCHOTT® HelioBasic II

Small and light LED light source in various colors



Product Characteristics

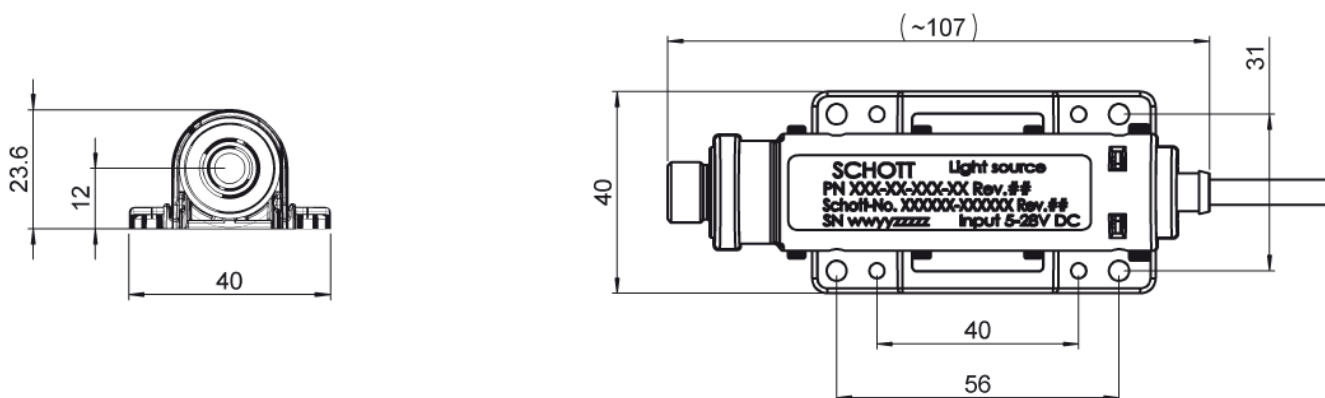
The SCHOTT® HelioBasic II is a small, yet very efficient LED light source that was developed specifically to combine SCHOTT's expertise in fiber optics and harnesses with LED technology to provide the ultimate in cabin lighting.

The SCHOTT® HelioBasic II is the ideal solution when space is limited and customized design is required. This compact and smart solution is compliant to all Airbus and Boeing regulations.

The technology is qualified for all major passenger aircraft.

Technical Specifications	
Power Input	5 to 28 VDC
Power consumption	max. 1 W
Control (Standard)	On / Off
Control customized Features	<ul style="list-style-type: none"> • dimming • flickering
Color	various single colors
Dimensions	101 mm x 40 mm x 23.6 mm
Max. weight	90 g

Recommended Applications
Star Ceiling „SCHOTT® HelioStar“
Side Light „SCHOTT® HelioLine“ for contour lights and moodlighting
Spot Light „SCHOTT® HelioFlex“ on various seats and monuments
Fiber optic Reading Lights „SCHOTT® Cirrus“ and „SCHOTT® Cirrus II“ and „SCHOTT® Focus“
Any outstanding customized solution



All specifications are subject to change without prior notice. This datasheet or any extracts thereof may only be used in other publications with express permission of SCHOTT. © SCHOTT AG

Lighting and Imaging
SCHOTT AG
 Hattenbergstrasse 10
 55122 Mainz
 Germany
 Phone: +49 (0) 6131/66-7914
 Fax: +49 (0) 6131/66-7850
 lightingimaging@schott.com
 www.schott.com/lightingimaging

