

SCHOTT® Discus

Next generation LED reading light



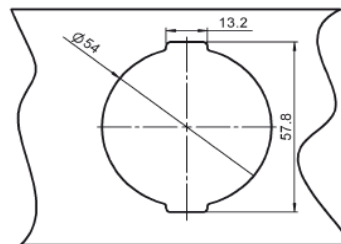
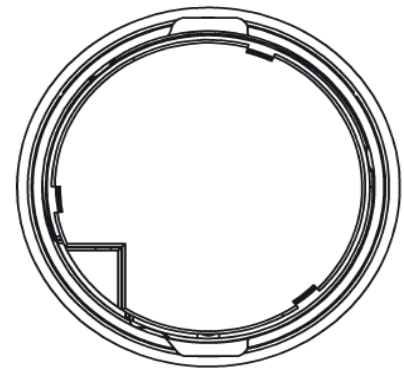
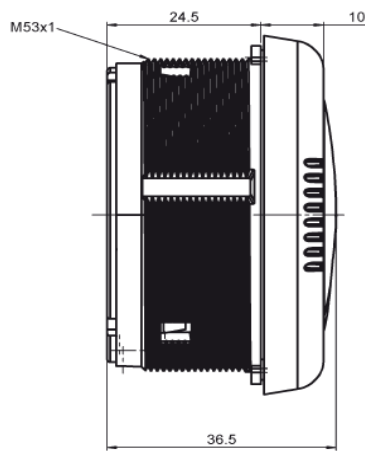
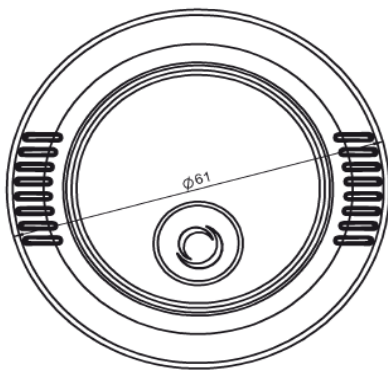
Product Characteristics

SCHOTT® Discus is a member of the SCHOTT Compact in-seat reading light family and completes the range of small and economic lighting solutions. Its light, slim and elegant design fits perfectly into all kinds of surfaces like seat shells, wall or ceiling panels.

The light can be switched on or off by a soft touch on the central light output. Rotating the crown allows an easy adjustment of the light cone for an individual and personalized illumination.

The technology is qualified for all major passenger aircraft.

Technical Specifications	
Wide input voltage range	5 V to 28 V DC 50 mm
Total current @ full on	max. 100 mA
Switching sequence	On – Off
Power consumption / max power dissipation @ full on	max. 1 W
Number of LEDs	1
Weight	100 g
Color temperature	5500 K \pm 10 %
Rotation	\pm 30°
Dimensions	see below



All specifications are subject to change without prior notice. This datasheet or any extracts thereof may only be used in other publications with express permission of SCHOTT. © SCHOTT AG

Lighting and Imaging
SCHOTT AG
 Hattenbergstrasse 10
 55122 Mainz
 Germany
 Phone: +49 (0) 6131/66-7914
 Fax: +49 (0) 6131/66-7850
 lightingimaging@schott.com
 www.schott.com/lightingimaging

