

SCHOTT® Heliolntense

Strong and efficient LED light source



Recommended Applications

Various spots in seats or monuments realized with one light source and SCHOTT® Heliolntense

Flat and slim shell mounted Reading Lights

Functional cabin lighting realized as spot or line lights

Homogeneous Moodlighting realized with Schott® Heliolntense

Product Characteristics

The SCHOTT® Heliolntense light source is an efficient and very strong LED light source that was developed specifically to combine SCHOTT's expertise in fiber optics with LED technology to provide customized and ultimate cabin lighting.

Compared to the SCHOTT® Heliolntense II, it can be controlled in different ways, what makes it suitable for any customer demand.

The SCHOTT® Heliolntense technology can either be used as LED light source or LED spot.

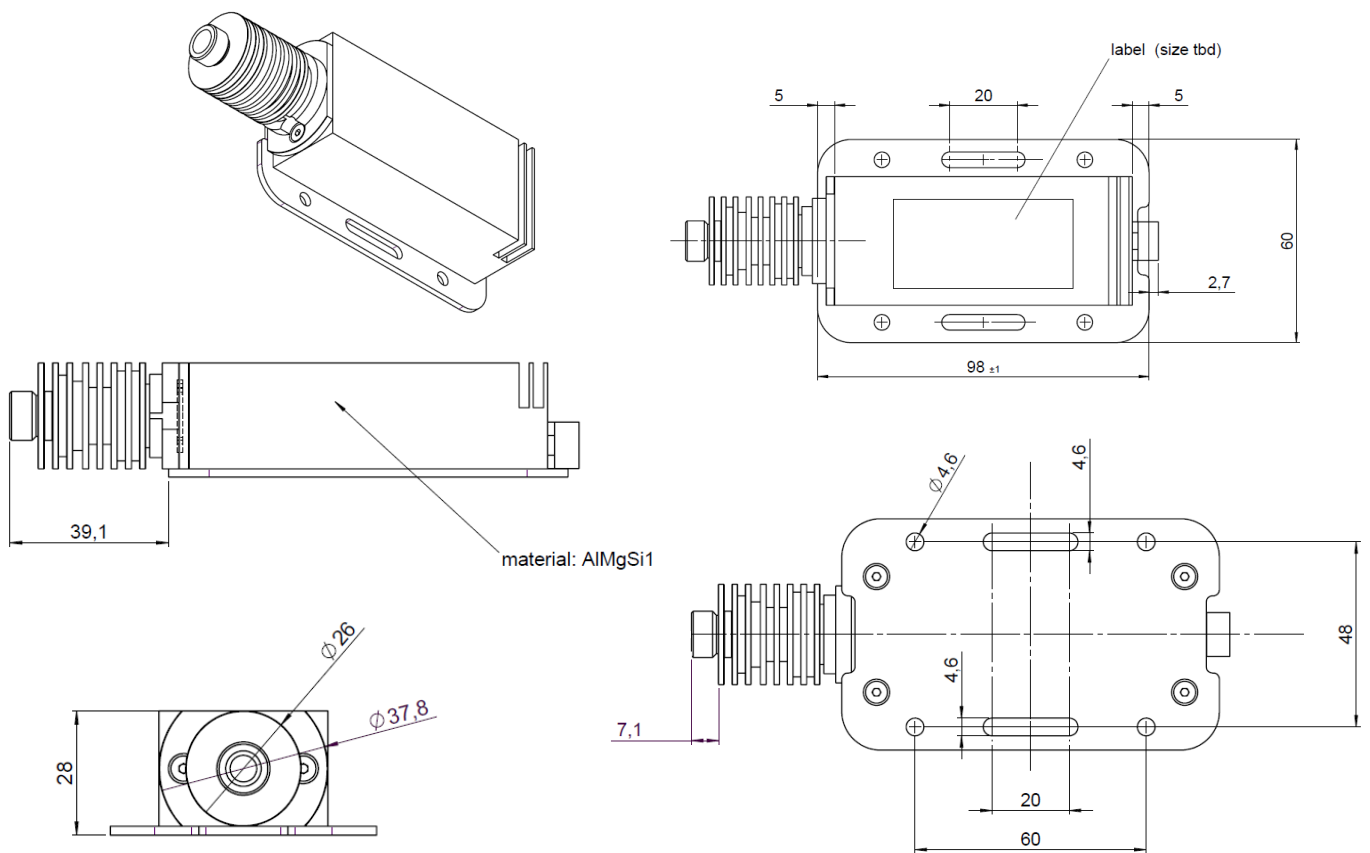
The technology is qualified for all major passenger aircraft.

SCHOTT® HeliIntense

Strong and efficient LED light source

Technical Specifications

Power input	12 – 28 VDC, 28 VDC board voltage
Power consumption	max. 4,5 W
Control	<ul style="list-style-type: none"> • External switch • RS485 • CAN (on request)
Control features	On / Off / Dimming
Color	Standard: white (other single colors possible)
Address selection	Daisy chain concept
Max. weight	200g



All specifications are subject to change without prior notice. This datasheet or any extracts thereof may only be used in other publications with express permission of SCHOTT. © SCHOTT AG

Lighting and Imaging
SCHOTT AG
 Hattenbergstrasse 10
 55122 Mainz
 Germany
 Phone: +49 (0) 6131/66-7914
 Fax: +49 (0) 6131/66-7850
 lightingimaging@schott.com
 www.schott.com/lightingimaging

