

SCHOTT® HelioLine

High-quality Aviation approved side-emitting glass fiber cable



SCHOTT® HelioLine

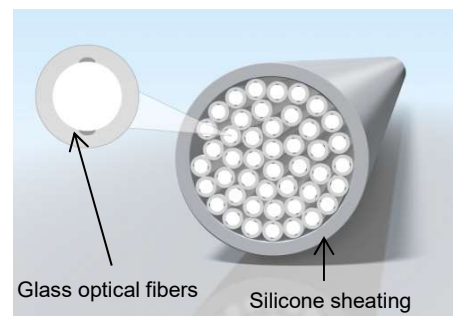


SCHOTT® HelioLine

Product Characteristics
SCHOTT® HelioLine sidelight components are side-emitting optical fibers that were developed to answer the high demand for mood- and ambient lighting in aircraft cabins. SCHOTT® HelioLine sidelight components offer a huge number of outstanding user benefits for line light applications including:

Product Advantages
Excellent color characteristics
High light output and homogeneity in combination with SCHOTT® HelioBasic II, HelioIntense or HelioPower light sources
Very limited space depth
Non-electrical light emitters
Perfect fluid resistance
Excellent flexibility resulting in extreme small bending radii for more design freedom
Unrivalled lifetime

Applications
Mood lighting and ambient illumination in aircraft cabin:
<ul style="list-style-type: none"> • Toe-Kick areas • Table & monument edges • Seat contours • Steps of staircase • Handrails



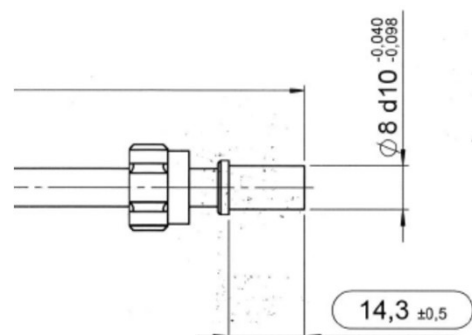
SCHOTT® HelioLine is a side-emitting cable with a silicone sheathing.



Technical Specifications		
SCHOTT Part number	1470754	1470763
Active bundle diameter	∅ 2.0 ± 0.1 mm	∅ 3.0 ± 0.1 mm
Cable diameter	∅ 3.85 ± 0.15 mm	∅ 4.85 ± 0.2 mm
Bending radius	> 10 mm	> 15 mm
Weight Cable	17 g/m	30 g/m
Typ. Weight Ferrules (Depending on design)		10 g / light outlet ferrule 15 g / ferrule common end
No. of glass fibers	approx. 670	approx. 1530
Fiber diameter	70 µm	70 µm
Fiber breakage	Max. 5 per meter allowed, no conglomerates allowed	
Cable material	Silicon	
Cable color	White translucent	
Mounting and cleaning	No tensile stress or high pressure allowed	
Flammability	Bunsen burner test 60°-30s acc. FAR/JAR/CS25, App. F, Part I & AITM	
Smoke density	Acc. to JAR/FAR/CS25, App. F, Part V & AITM 2.0007 / 2.0008B	
Toxic Components	Acc. to ABD0031 & AITM 3.0005	
Fluids Susceptibility	According to RCTA DO-160F: Coffee, Soda, Alcoholic drinks, Isopropyl alcohol, Callington one shot (AMS1450)	
Chemical resistance	Good resistance against household cleaning agents as well as Ethanol. Other cleaning agents have to be tested.	
Light output uniformity and color deviation	Up to fiber length of 5.5 m no difference visible for lightsources with radiation angle of 55° max. (equals NA 0.46). For lengths > 2 m, lightsource at each end is highly recommended.	
Operating Conditions	Ambient Temperature Relative Humidity	-40°C to + 160°C 85% max.
Transportation and Storage	Temperature Relative Humidity	- 20°C to + 70°C 10 to 90% (non-condensing)

Related light sources
SCHOTT® HelioBasic II (single color, standard intensity)
SCHOTT® HelioIntense (single color, high intensity)
SCHOTT® HelioIntense Spectrum CC (full colors, high intensity)
SCHOTT® HelioPower (single color, very high intensity for multi-tail applications)

End ferrule with union nut



All specifications are subject to change without prior notice. This datasheet or any extracts thereof may only be used in other publications with express permission of SCHOTT. © SCHOTT AG

Lighting and Imaging
SCHOTT AG
 Otto-Schott-Str. 2
 55127 Mainz
 Germany
 Phone: +49 (0) 6131/66-7844
 Fax: +49 (0) 6131/66-7850
 lightingimaging@schott.com
 www.schott.com/lightingimaging

