

SCHOTT Premium Reading Light

SCHOTT® Polaris – elegant and compact design



Product Characteristics

The Reading Light SCHOTT® Polaris is a compact, wall-mounted light that requires an exceptionally small installation depth. Thus it can be easily integrated in shells or any other seat structure in a straight and angled version. Additionally, with the wide input voltage range, it will retrofit easily into just about any aircraft. With a single high brightness LED the new SCHOTT® Polaris is the essence of combining design & simplicity. The SCHOTT® Polaris head comes with a clear anodized aluminum finish.

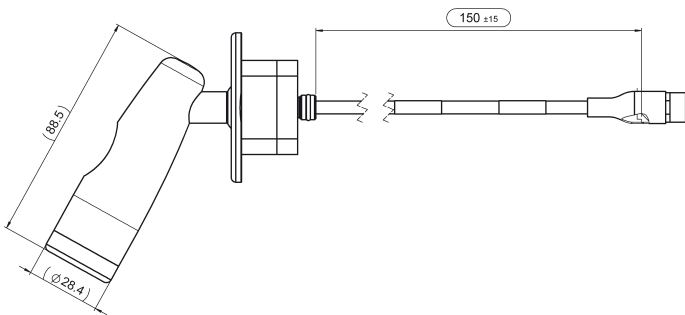
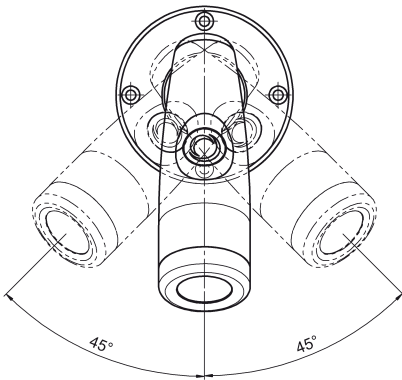
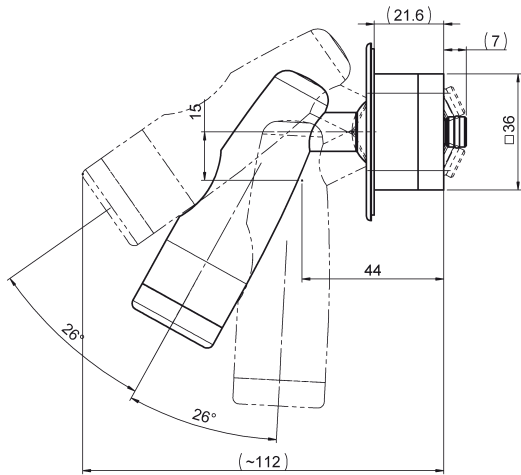
The technology is qualified for all major passenger aircraft.

SCHOTT
glass made of ideas

Technical Specifications

Power supply	5 to 28 VDC
Total current at full on	max. 100 mA
Power consumption @ full power	max. 1 W
Number of LEDs	1
Weight	max 200 g
Color temperature	5500 K ± 10%
Typical illuminance @ 410 mm	200 lx

Angled version



Straight version

