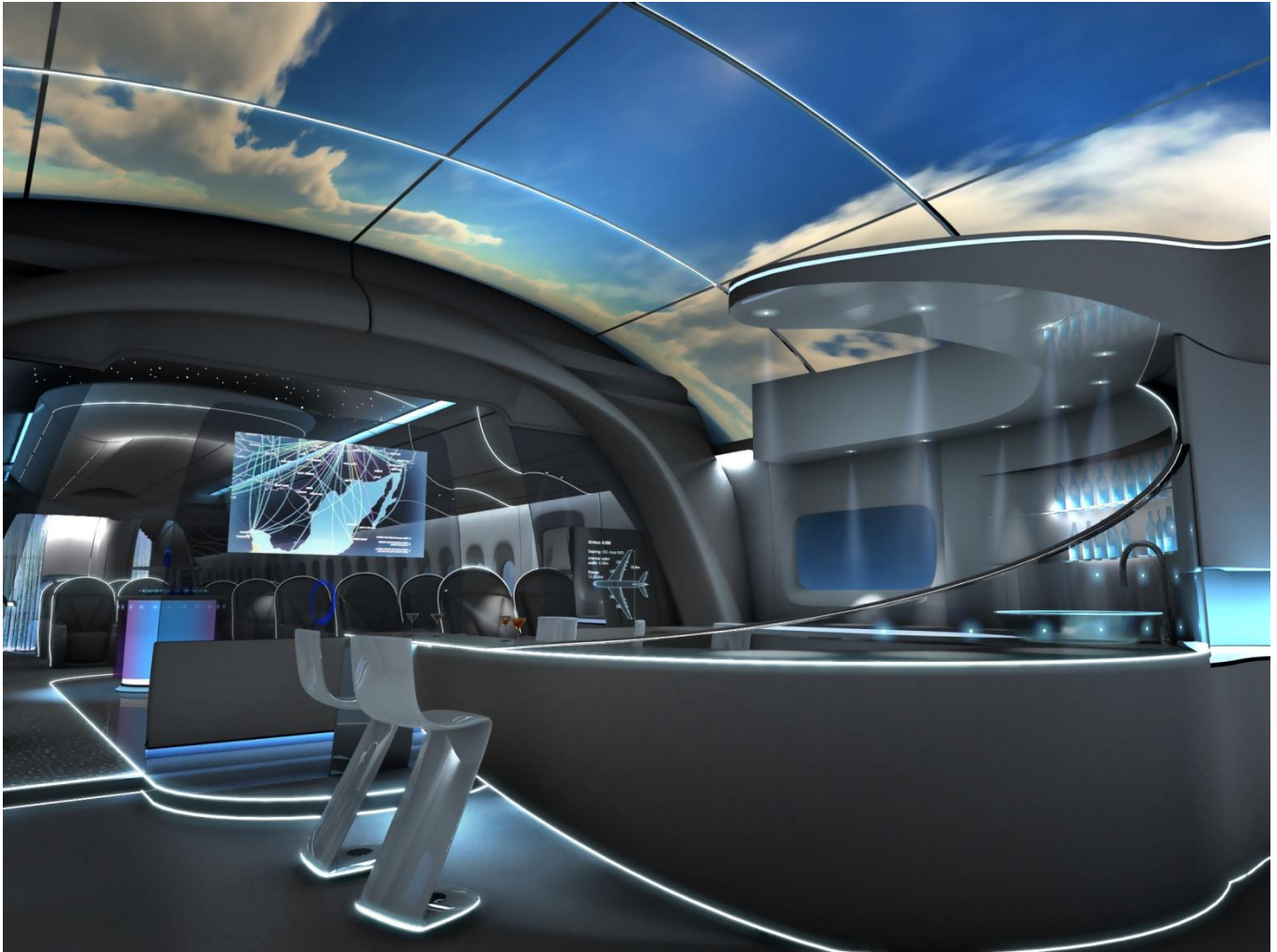


SCHOTT® HeliolIntense

Strong and efficient LED light source



Product Characteristics

The SCHOTT® HeliolIntense light source is an efficient and very strong LED light source that was developed specifically to combine SCHOTT's expertise in fiber optics with LED technology to provide customized and ultimate cabin lighting.

Compared to the SCHOTT® HeliolBasic II, it can be controlled in different ways, what makes it suitable for any customer demand.

The SCHOTT® HeliolIntense technology can either be used as LED light source or LED spot.

SCHOTT® HeliIntense

Strong and efficient LED light source

| Technical Specifications | |
|--------------------------|--|
| Power input | 12 – 28 VDC, 28 VDC board voltage |
| Power consumption | max. 4,5 W |
| Control | <ul style="list-style-type: none"> • External switch • RS485 • CAN (on request) |
| Control features | On / Off / Dimming |
| Color | Standard: white (other single colors possible) |
| Adress selection | Daisy chain concept |
| Max. weight | 200g |

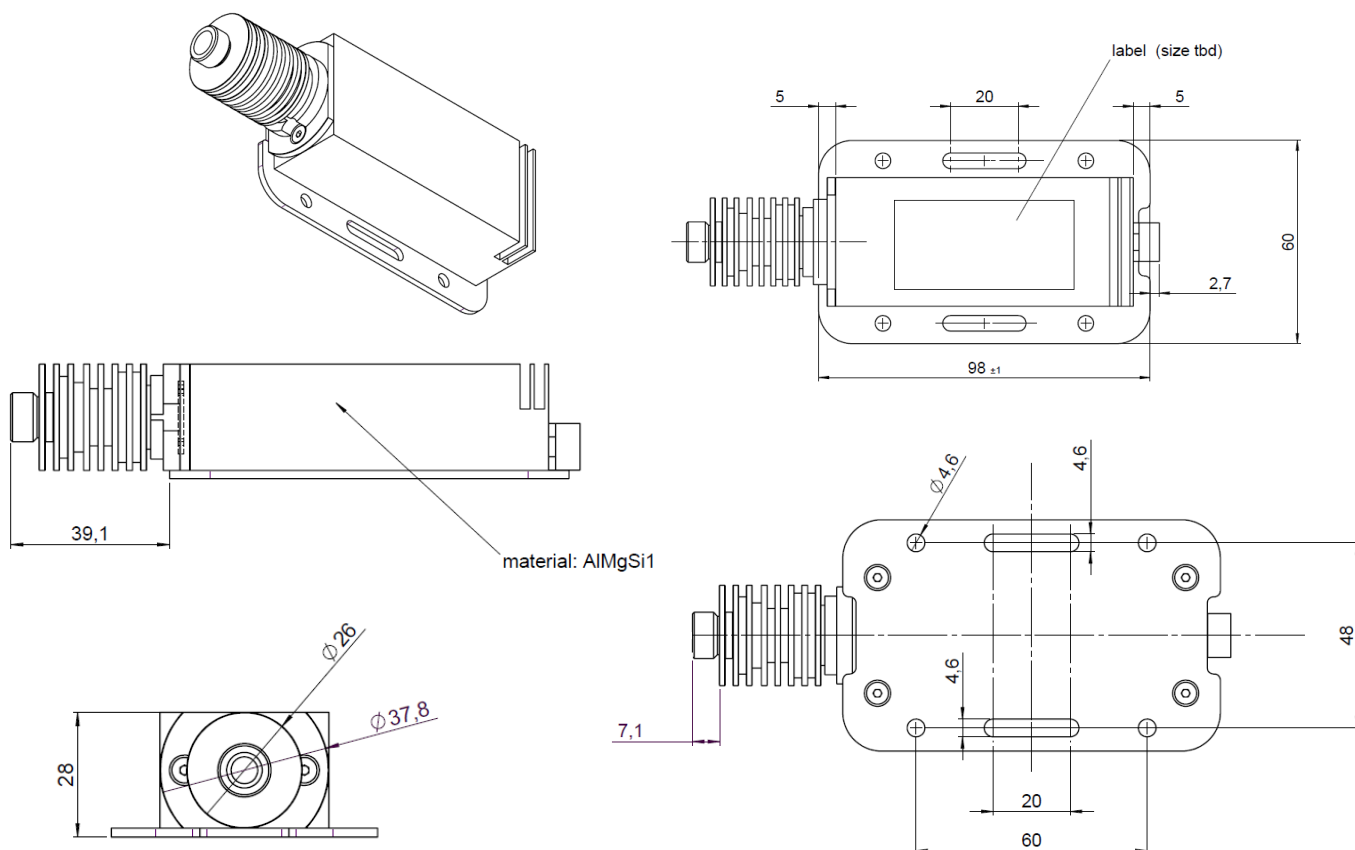
Recommended Applications

Various spots in seats or monuments realized with one light source and SCHOTT® HeliFlex

Flat and slim shell mounted Reading Lights

Functional cabin lighting realized as spot or line lights

Homogeneous Moodlighting realized with Schott® HeliLine



All specifications are subject to change without prior notice. This datasheet or any extracts thereof may only be used in other publications with express permission of SCHOTT. © SCHOTT AG

Lighting and Imaging
SCHOTT AG
 Hattenbergstrasse 10
 55122 Mainz
 Germany
 Phone: +49 (0) 6131/66-7914
 Fax: +49 (0) 6131/66-7850
 lightingimaging@schott.com
 www.schott.com/lightingimaging

