

# SCHOTT Premium Reading Light

SCHOTT Polar, SCHOTT Comet



## Seat- and wall-mounted reading lights

Localized lighting with a well-defined beam shape

Directionally adjustable by the user

Less intrusive to passengers nearby

Low power consumption of typically 0.8 to 1.8 W per seat means very low operating costs

Qualification in preparation for all AIRBUS and BOEING Aircraft.

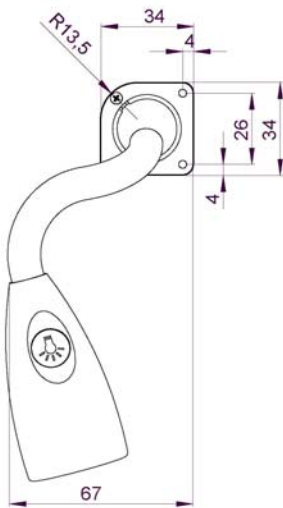


The **SCHOTT Comet** Reading Light is a headrest mounted solution. 18 LEDs offer a bright but less intrusive illumination. The rigid tube and ball-and-socket joint allows an individual adjustment by the user.

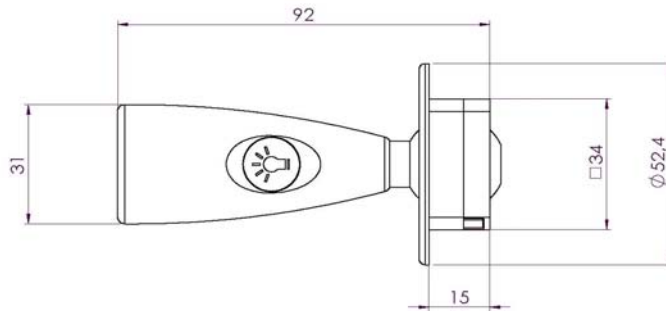


**SCHOTT Polar** is a multifunctional adaptable Reading Light. 12 LEDs are included and offer an optimal illumination for mounting in walls or seat shells.

Specifications		
	SCHOTT Comet	SCHOTT Polar
Power supply	12 to 17 VDC	11 to 13 VDC
Total current at full on	115 mA, 10 mA ripple	70 mA, 10 mA ripple
Power consumption @ full power	Max. 2.15 W	Max. 1.1 W
quiescent	Max. 0.3 W	Max. 0.2 W
Number of LEDs	18	12
Weight (typical)	Approx. 210 g	Approx. 180 g



**SCHOTT Comet**



**SCHOTT Polar**

**For more information please contact:**

**Aviation**

SCHOTT AG  
 Otto-Schott-Str. 2  
 55127 Mainz  
 Germany  
 Phone: +49 (0)6131/660  
 Fax: +49 (0)6131/667850  
 E-mail: [info.aviation@schott.com](mailto:info.aviation@schott.com)  
[www.schott.com/aviation](http://www.schott.com/aviation)

**SCHOTT**  
 glass made of ideas