

# SCHOTT Spectra™ LED Light Source 3W & SCHOTT Spectra™ Fiber Rod Fitting

Hybrid LED and fiberoptic system for high end Retail and Museum lighting

§ Attractive design: the SCHOTT Spectra™ LED Light Source 3W is installed in the showcase interior so that only a small shoulder and the glass rod are visible

§ Low energy consumption at high light output : a single 3 Watt LED is used to generate a lot of light in the shape of a spot

§ Dimmable 0 – 100% to control the level of spot illumination

§ Long lifetime: this glass fiber and LED combination is very durable and, once installed, will last many years in museums and shops

§ The bent glass fiber rod generates a defined or diffuse spot light

§ The glass fiber rod is very slim: it does not take away attention from the illuminated object but adds a functional design element to the showcase

§ Illuminated with the SCHOTT Spectra™ LED Light Source 3W or a SCHOTT Spectra™ TH or a SCHOTT Spectra™ MH Light Source combined with a SCHOTT SpectraFlex® Glass Fiber Harness

§ Three color options are available for the SCHOTT Spectra™ Glass Fiber Rod: black, amber, transparent



## Specification

	Unit	SCHOTT Spectra™ LED Light Source 3W/3000K	SCHOTT Spectra™ LED Light Source/4300K
Axial illuminance at 300 mm distance with polished SCHOTT Spectra™ Fiber Rod Fitting, for defined spot (typical)	lux (ftcd)	> 400 (36)	> 440 (38)
Axial Illuminance at 300 mm distance with matt SCHOTT Spectra™ Fiber Rod Fitting for diffuse spot (typical)	lux (ftcd)	> 300 (27)	> 320 (28)
Power consumption (typical)	W	3	3
Color temperature	K	3050 +/- 150	4250 +/- 250
Color Rendering Index (CRI)	%	80	75
Min. luminous flux per LED	lm	100	110
Full viewing angle through Fiber Rod (typical) - matt	°	180	
Full viewing angle through Fiber Rod (typical) - polished	°	60	
Service Life of LED (typical)*	h	50,000	
Max. Voltage, dimmable 0 – 100%	V	5	
Operating temperature (max)	°C (°F)	-40 (-40)...+40 (105)	
Certification	CE (EN 60598), ROHS conform, WEEE-Reg.-No.DE 14542729		

\* („L 70“ to 70% of original light output), when used in accordance with the SCHOTT user manual

### Ordering information

All SCHOTT Lighting products can easily be ordered around the clock via Schott's online order and service portal, or contact your local SCHOTT sales office: [www.schott.com/architecture](http://www.schott.com/architecture)

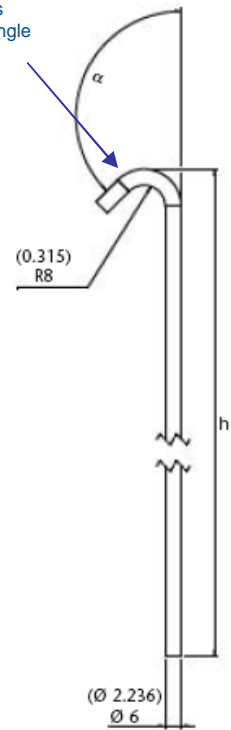
**SCHOTT**  
glass made of ideas

### SCHOTT Spectra™ Fiber Rod Fitting

Color	Height mm (in)	Downward Angle (°)	Ø mm (in)
transparent	100 (3.94) – 350 (13.58)	105° / 120° / 135°	6 (0.24)
amber	100 (3.94) – 350 (13.58)	105° / 120° / 135°	6 (0.24)
black	100 (3.94) – 350 (13.58)	105° / 120° / 135°	6 (0.24)

All versions are available with polished or matt end surface

Measured as downward angle



### SCHOTT Spectra™ Fiber Rod Fitting - illuminated with glass fiber optics

Adaptor to connect a SCHOTT SpectraFlex® Glass Fiber Harness to a SCHOTT Spectra™ Fiber Rod Fitting

SCHOTT Spectra™ Fiber Rod Fitting	Article number	
Adaptor Ferrule	silver	1198067
	black	1198068

The fiber optic harness is not included.

To be ordered separately, recommended cable size 24 with F ferrule (see datasheet for SCHOTT SpectraFlex® Glass Fiber Harness )

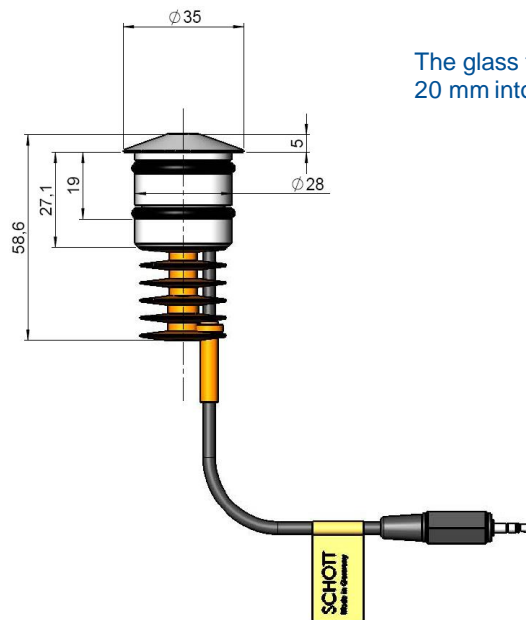
### SCHOTT Spectra™ Fiber Rod Fitting - illuminated with LED Hybrid Technology

#### SCHOTT Spectra™ LED Light Source 3W Set - ready to plug in

including light source, 1.5 m (60") connecting cable, dimmer, power supply and a set of international plugs

Set (CE certified)	Aluminum alloy housing, Color	Order No. Set 3000K	Order No. Set 4300K
SCHOTT Spectra™ LED Light Source 3W Set	silver	1216602	1216603
	black	1216600	1216604

### SCHOTT Spectra™ LED Light Source 3W



The glass fiber rod reaches around 20 mm into the LED light source

## SCHOTT Spectra™ LED Light Source 3W

### Accessories to connect up to 8 Light Sources - ready to plug in

Please follow these steps to generate your multiple Light Source Set:

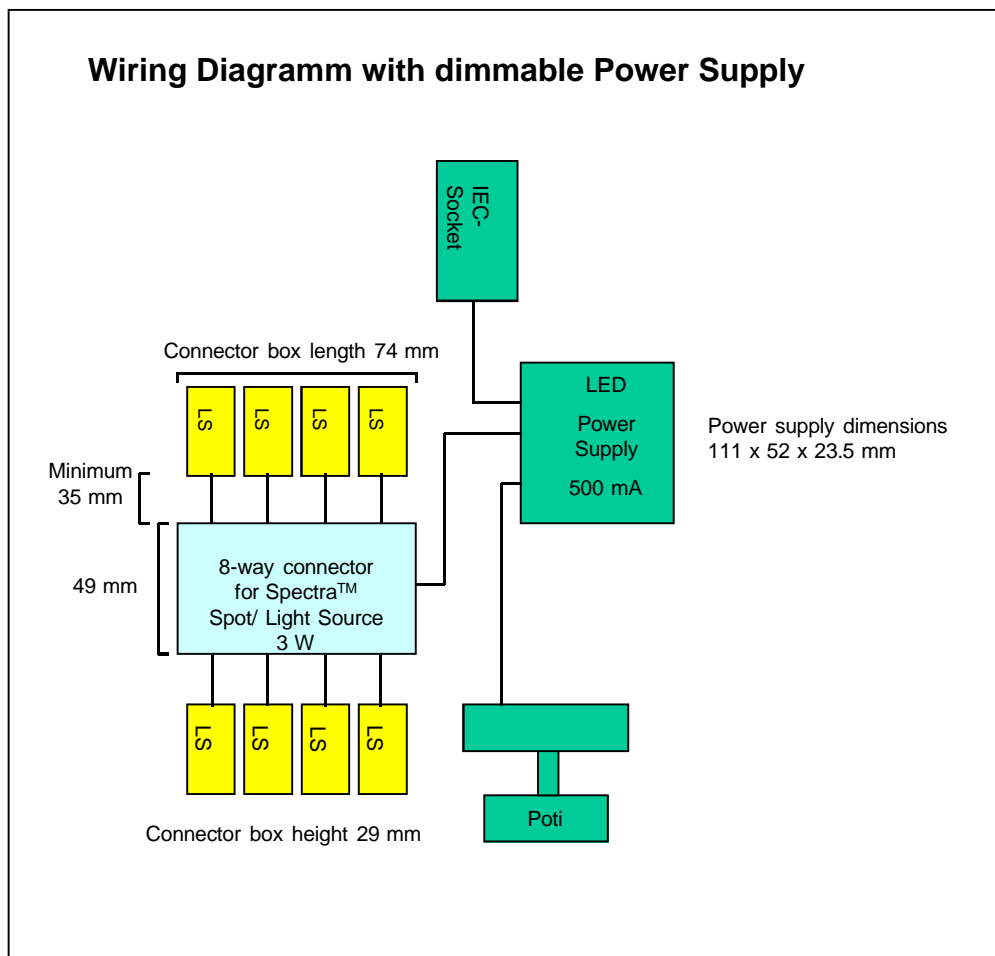
1. Select the Light Source (color temperature, housing color)
2. Choose the type of power supply that you need (with/ without dimmer)
3. Choose the mainslead for your region
4. If needed, select extension cables to be able to place the power supply at a distance from the connector box

SCHOTT Spectra™ LED Light Source 3W		Article No.	
	Aluminum Alloy Housing, Color	3000K	4300K
SCHOTT Spectra™ LED Light Source 3W DC connector, including 1.5m cable	silver	1232897	1232899
	black	1232885	1232896

Accessories	Article No.
Power Supply Set 500 mA, CE certified, including - Dimmer (0-100%), and - Connector box for up to 8 SCHOTT Spectra™ LED Light Sources 3W, including a 500 mm cable  All connected Light Sources or Spots are dimmed simultaneously	1266771
Power Supply Set 500 mA, including - Connector box for up to 8 LED Light Sources 3W (without dimming function), including a 500 mm cable	1266789
Mains lead EU 2 m (6 ft) to power supply IEC-type with molded Schuko plug	6005444
Mains lead UK 2 m (6 ft) to power supply IEC-type with molded UK plug	6005445
Extension cable (connector box to Light Source)	1,5 m 1266783
Extension cable (connector box to Light Source)	3,0 m 1266784
Extension cable (connector box to Light Source)	5,0 m 1266785

## SCHOTT Spectra™ LED Light Source 3W

Accessories to connect up to 8 LED Light Sources 3W - ready to plug in



LS: SCHOTT Spectra™ LED Light Source 3W or SCHOTT Spectra™ LED Spot 3W

For more information please contact your local sales office, or:

**SCHOTT AG**  
Architecture + Design  
Hattenbergstraße 10  
55122 Mainz  
Germany  
Tel.: +49 (0) 6131/66-2400  
Fax: +49 (0) 3641/66-2525  
Info.architecture@schott.com  
www.schott.com/architecture

In a continuing effort to offer the best product possible, SCHOTT reserves the right to change, without notice, specifications or materials that in SCHOTT opinion will not alter the function of the product.

**SCHOTT**  
glass made of ideas