

KL 2500 LED Light Source

for stereo microscopy



The KL 2500 LED is the performance leader in advanced cold light sources with an LED light engine. With the highest light output and a wide range of special features, it's ideal for customers with specialist requirements.

Features:

- Patented white light engine
- USB-Connectivity
- Electronic shutter function
- LCD display indicating brightness, operation mode or error code
- Intensity control with three sensitivities
- Two-position filter slider

Advantages:

- Maximum lighting intensity of 1100 lm
- Connection for foot switch
- PC-controllable via USB
- Continuous dimming from 0-100%
- Extra-fine dimming option, down to 0.1% steps
- Maintenance-free LED engine with 50.000 operating hours

Technical Specifications:

General		
Part No.		250.400
Dimensions (W x D x H)	(mm) / (inch)	114 x 231 x 137/4.5" x 9.1" x 5.4"
Weight	(kg)	Approx. 3.6
Cooling		Low-noise fan
Electrical		
Operating voltage, frequency		100 – 240 V ~, 50 – 60 Hz
Input voltage	(V)	24
Power consumption	(VA)	Max. 80
Protection class		II
Overvoltage category		II
Lamp type		9 High power LED white
Lamp lifetime	(h)	50.000 ¹
Light Output		
Luminous flux	(lm)	1.100 ²
Color temperature	(K)	Approx. 5.600
Active light guide diameter	(mm) / (inch)	Max. 9/Max. 0.35"
Certification marks		
Marking		CE
EMC-class		B

¹ max. decline of light output to 70% of origin level

² at the output of SCHOTT fiber optic light guide, 1-arm, flexible, Ø 9 mm active, length 1,000 mm

We provide a variety of accessories for our KL Series. For details please refer to our system diagrams or according datasheets.

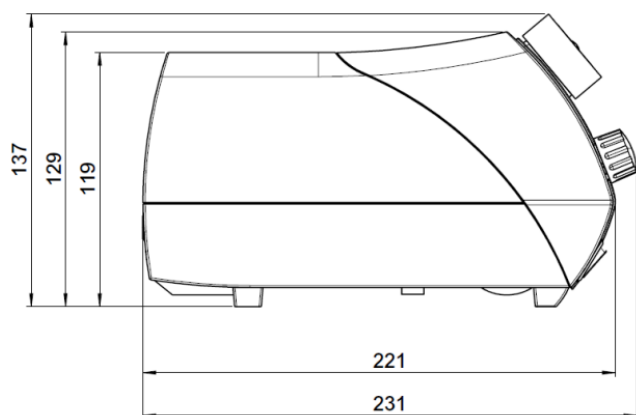
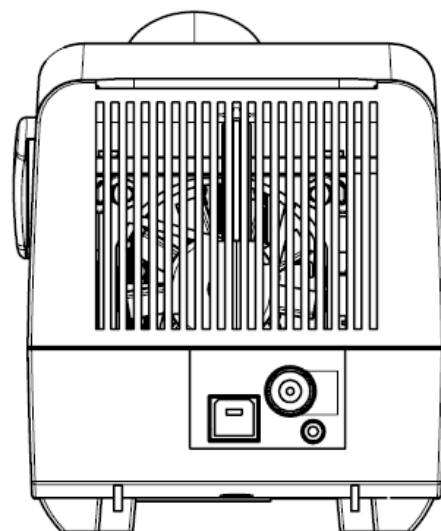
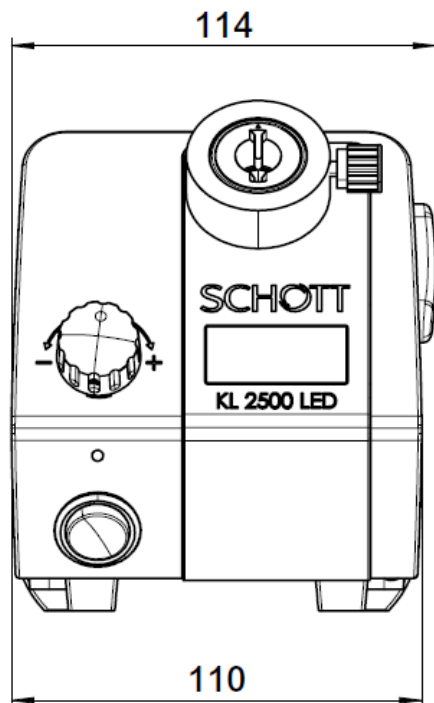
Accessories:

Footswitch	Part No.
Momentary	400.020
Light guide adapter	
For Megalight by SCHOTT Nippon K.K.	158.321
For ColdVision by SCHOTT North America	158.322
For Volpi and Photonic	158.323
Insert filter Ø 28 mm	
Blue	258.302
Red	258.303
Green	258.304
Yellow	258.305
Halogen	258.307
Power cord 1.8 m	
EU Plug: IEC-C13 to CEE 7/7	400.051
US Plug: IEC-C13 to NEMA 5-15	400.052
UK Plug: IEC-C13 to BS 1363	400.053
Swiss Plug: IEC-C13 to SEV1011	400.054

Note: country specific power cord must be ordered separately!



Dimensions



Pictures are provided for illustration purposes only, and may not provide an accurate reflection of the actual product.

All specifications are subject to change without prior notice. This datasheet or any extracts thereof may only be used in other publications with express permission of SCHOTT. © SCHOTT AG

Lighting and Imaging
SCHOTT AG
Hattenbergstrasse 10
55122 Mainz
Germany
Phone: +49 (0) 6131/66-7796
Fax: +49 (0) 6131/66-7850
info.microscopy@schott.com
www.schott.com/microscopy

SCHOTT
glass made of ideas