

KL 1600 LED Light Source

for stereo microscopy



A standard LED cold light source for fiber optics, the KL 1600 LED is an ideal option for all objects and applications. Its multiple-chip white LED light engine offers an attractive alternative to conventional halogen cold light sources.

Features:

- Patented white light engine.
- Easy to use fixture mechanism with clamping screw.
- Two-position filter slider.

Advantages:

- Maximum lighting intensity of 680 lm.
- Continuous dimming from 0-100%.
- Maintenance-free LED engine with 50.000 operating hours.

Technical Specifications:

General		
Part No.		150.600
Dimensions (W x D x H)	(mm) / (inch)	114 x 231 x 137/4.5" x 9.1" x 5.4"
Weight	(kg)	Approx. 2.45
Cooling		Ultra low-noise fan
Electrical		
Operating voltage, frequency		100 – 240 V ~, 50 – 60 Hz
Input voltage	(V)	24
Power consumption	(VA)	max. 37
Protection class		II
Overvoltage category		II
Lamp type		9 High power LED white
Lamp lifetime	(h)	50,000 ¹
Light Output		
Luminous flux	(lm)	680 ²
Color temperature	(K)	Approx. 5,600
Active light guide diameter	(mm) / (inch)	Max. 9 / max. 0.35"
Certification marks		
Marking		CE
EMC-class		B

¹ max. decline of light output to 70% of origin level

² at the output of SCHOTT fiber optic light guide, 1-arm, flexible, Ø 9 mm active, length 1,000 mm

We provide a variety of accessories for our KL Series. For details please refer to our system diagrams or according datasheets.

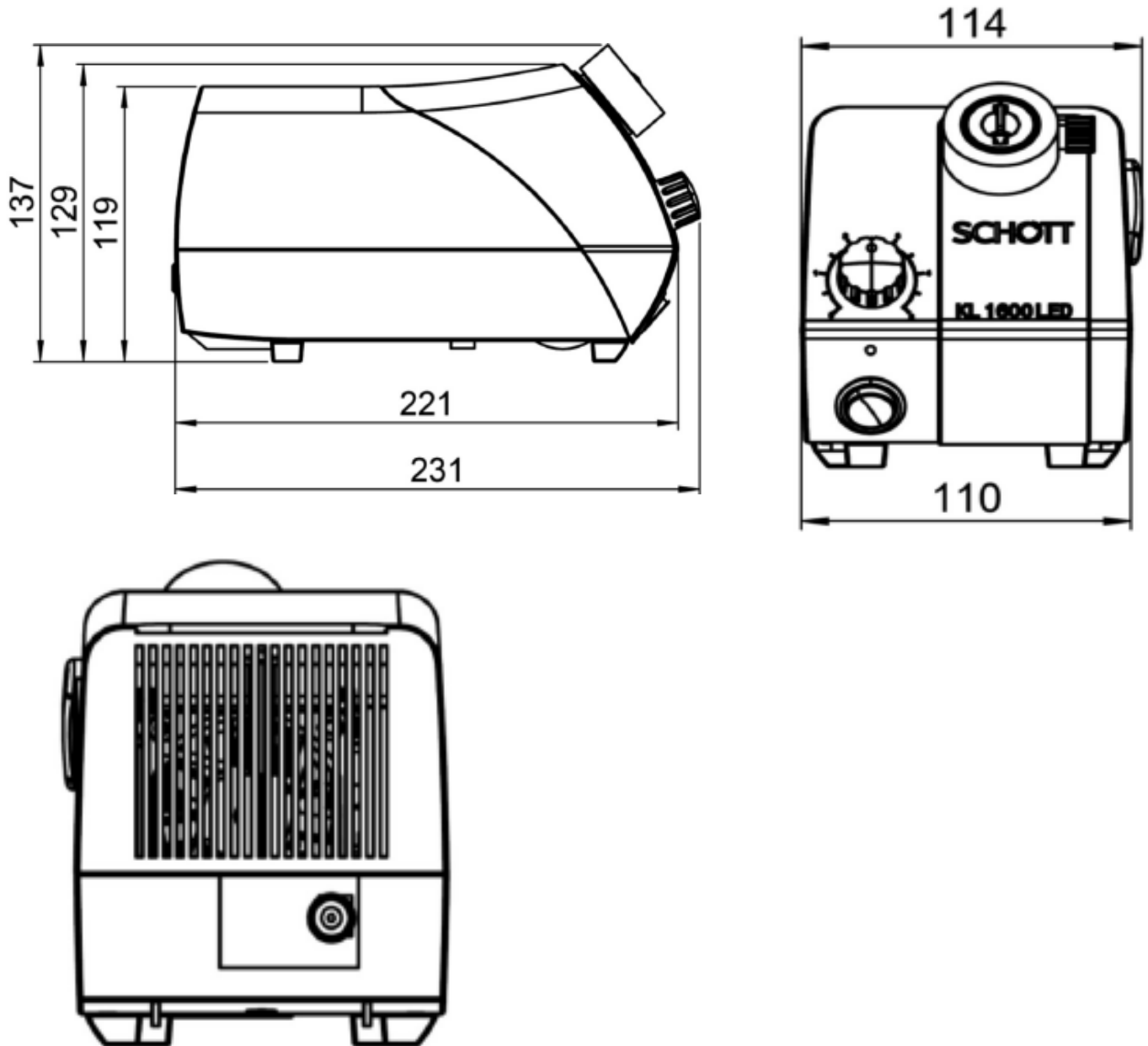
Accessories:

Light guide adapter	Part No.
For Megalight by SCHOTT Nippon K.K.	158.321
For ColdVision by SCHOTT North America	158.322
For Volpi and Photonic	158.323
Insert filter Ø 28 mm	
Blue	258.302
Red	258.303
Green	258.304
Yellow	258.305
Halogen	258.307
Power cord 1.8 m	
EU Plug: IEC-C13 to CEE 7/7	400.051
US Plug: IEC-C13 to NEMA 5-15	400.052
UK Plug: IEC-C13 to BS 1363	400.053
Swiss Plug: IEC-C13 to SEV1011	400.054

Note: country specific power cord must be ordered separately!



Dimensions



Pictures are provided for illustration purposes only, and may not provide an accurate reflection of the actual product.

All specifications are subject to change without prior notice. This datasheet or any extracts thereof may only be used in other publications with express permission of SCHOTT. © SCHOTT AG

Lighting and Imaging
SCHOTT AG
Hattenbergstrasse 10
55122 Mainz
Germany
Phone: +49 (0) 6131/66-7796
Fax: +49 (0) 6131/66-7850
info.microscopy@schott.com
www.schott.com/microscopy

SCHOTT
glass made of ideas