

ColdVision DCR® III Light Source

for machine vision applications



DCR® III Light Source with EKE Lamp, A20800

A DC-regulated 150 W halogen light source, the DCR® III generates intense but cool illumination for machine vision applications. One of the most versatile light sources in the ColdVision series, the DCR® III offers a choice of two 150 W halogen lamps (EKE or DDL) to provide a range of light intensity and color temperature options to maximize productivity and accuracy.

Features:

- Universal input voltage (90-265 VAC).
- Soft-start 'lamp saver' circuitry.
- IR interference filter for cool illumination.
- Built-in 9-pin connector for analog remote control.
- Choice of two, 150 watt halogen bulbs (EKE and DDL lamps. Can be purchased separately). Offer light intensity and color temperature options to maximize productivity and accuracy.

Advantages:

- Continuous dimming from 0 to 100 %.
- Current limiting, which protects the unit from overheating because of defective or aging bulbs.
- Lamp change indicator light.

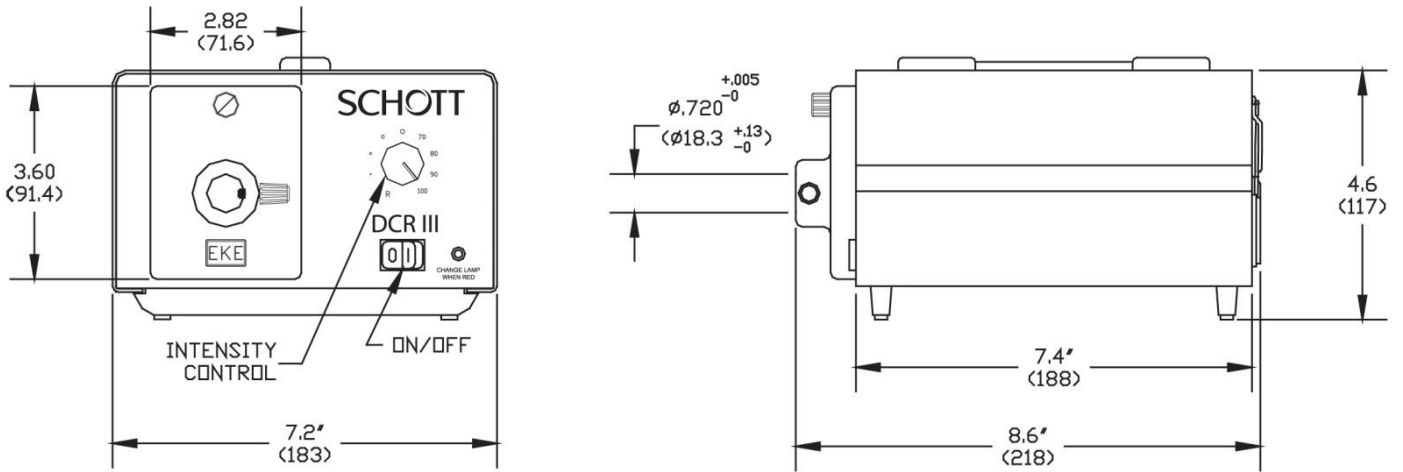
Part. No.	Lamp
A20800	EKE Lamp with US Power Cord
A20800.2	DDL Lamp US Power Cord
Specification	
Rated power output	150 Watts
Output voltage	0.0, 0.5 to 20.5 VDC
Input voltage rating 50/60 Hz	90 to 265 VAC
Power factor correction @ 230 VAC, 50 Hz	> 0.99, < 4°
Hold-up time, nominal AC input, full load	8.3 milliseconds
Line regulation, over entire input range	± 0.5%
Current limit set point	8.5 Amps
Temperature range operating	32°F – 113°F (0°C – 45°C)
Temperature range storage	-13°F – 185°F (-25°C – 85°C)
Relative humidity, non-condensing	5% to 95%



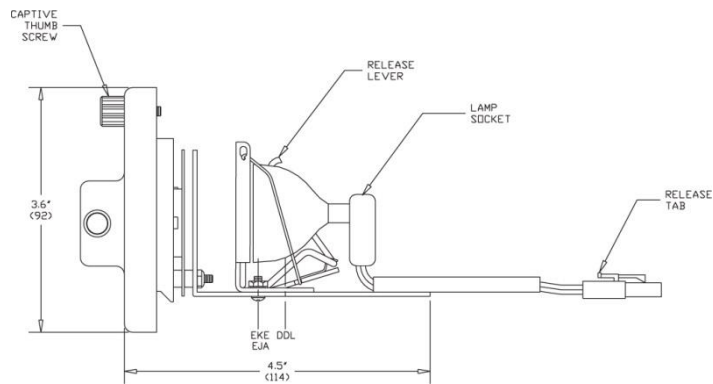
Dimensions

Dimensions in () are in mm

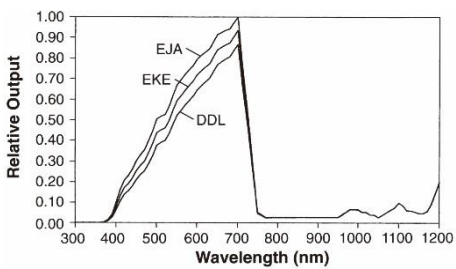
DCR® III / DCR® III Plus Light Source



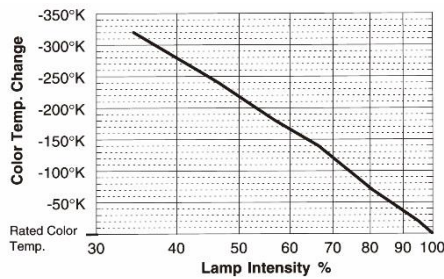
Input: 115/230 VAC – 50/60 Hz, Output: 0–20.5 VDC



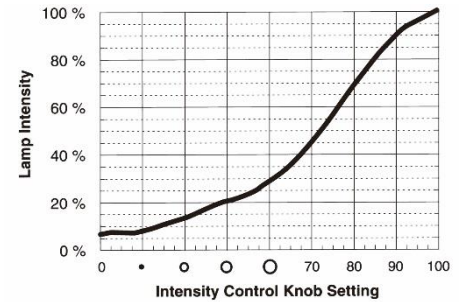
Spectral Curves w/Interference IR Filter



Color temperature Change vs. Lamp Intensity



Lamp Intensity vs. Intensity Control Knob Setting



All specifications are subject to change without prior notice. This datasheet or any extracts thereof may only be used in other publications with express permission of SCHOTT. © SCHOTT AG

Lighting and Imaging
SCHOTT AG
 Hattenbergstrasse 10
 55122 Mainz
 Germany
 Phone: +49 (0) 6131/66-7796
 Fax: +49 (0) 6131/66-7850
 lightingimaging@schott.com
 www.schott.com/coldvision

