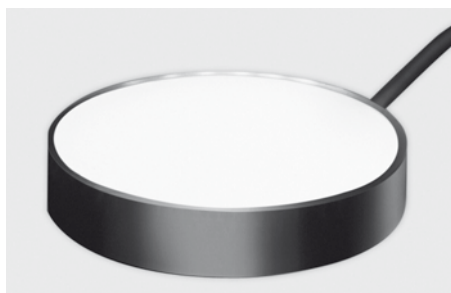


Brightfield ringlight, S80-55



Transmitted Light Stage

VisiLED Brightfield Lightheads

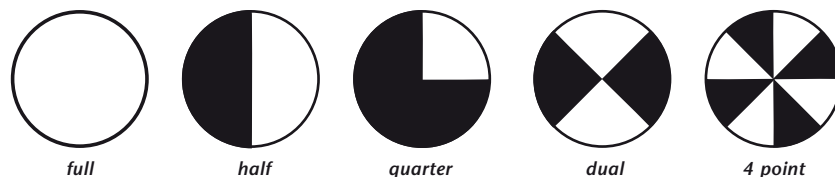
Illumination system specially developed for stereo microscopy and macroscopy applications.

5 Lightheads for brightfield illumination techniques

- 3 Brightfield ringlights for high and low brightness requirements.
- 1 Transmitted light stage for brightfield applications.

Features

- Easily adaptable to microscope objectives by means of thumb screw and clamp ring.
- Homogenous illumination.
- Best white quality: typically 5,600 K.
- Long operating life: typically 50,000 h by actively controlling the LED's temperature.
- Segments controllable in different preset modes for optimum contrasting:



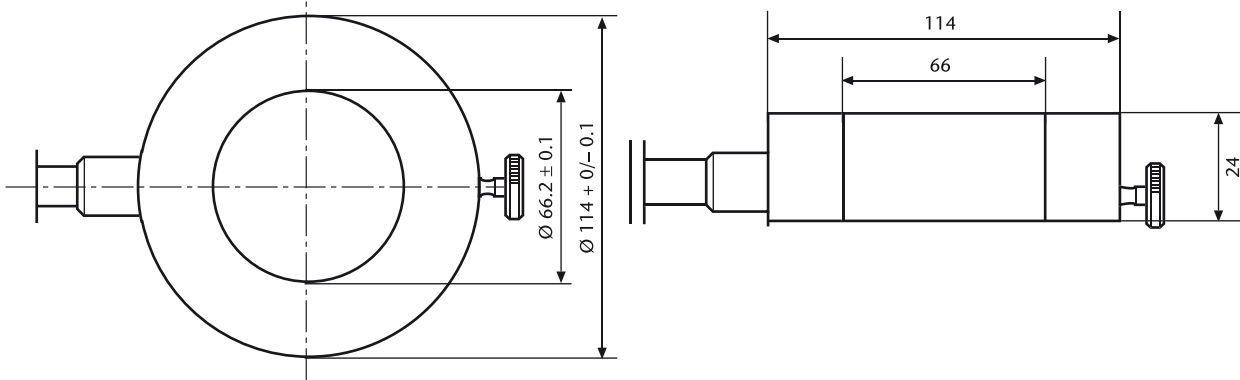
- Manufactured in the EU.

Lightheads					
Description	Part. No.	Working Distance (WD)	Max. Illuminance	Inner Ø	Outer Ø
LED Brightfield ringlight "S40-55"	400 100	55-110 mm (2.17"-4.33")	80 klx (75 mm) (2.95")	66 mm (2.60")	114 mm (4.49")
LED Brightfield ringlight "S80-25"	400 225	25-50 mm (0.98"-1.97")	200 klx (30 mm) (1.18")	66 mm (2.60")	114 mm (4.49")
LED Brightfield ringlight "S80-55"	400 255	50-135 mm (2.17"-5.32")	130 klx (75 mm) (2.95")	66 mm (2.60")	114 mm (4.49")
Transmitted light stage "TLS-BF"	400 400		20,000 cd/m ² (luminance in center)	active 50 mm (1.97")	84 mm (3.31")

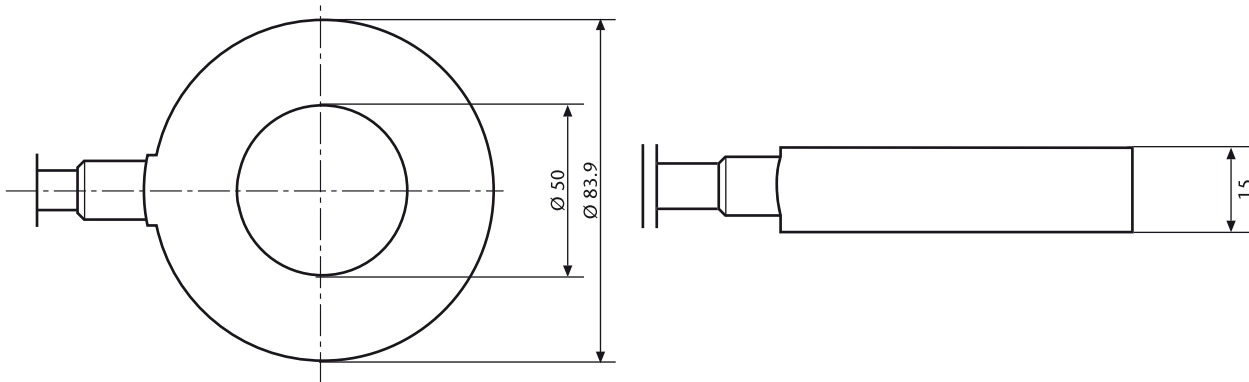
Accessories	
Description	Part. No.
Combi-kit to combine one brightfield and the darkfield for mixed illumination.	400 500
Polarization Filter System for brightfield ringlights	400 550
Polarization filter attachment for transmitted light stage	158 500
Protection window for brightfield ringlights	400 560
Diffusor for brightfield ringlights	400 570

Objective Adaptors for Ringlights	
Ø 58 mm to Ø 66 mm	157 450
Ø 60 mm to Ø 66 mm	157 452
M48x0.75 to Ø 66 mm	157 454
M55x0.75 to Ø 66 mm	157 456

VisiLED Brightfield Lightheads



Brightfield ringlight



Transmitted light stage

Lighting and Imaging
SCHOTT AG
Otto-Schott-Strasse 2
55127 Mainz
Germany

Phone: +49 (0)6131/66-7796
Fax: +49 (0)6131/66-7850
lightingimaging@schott.com
www.schott.com/lightingimaging

SCHOTT
glass made of ideas

For your local sales contact please visit
www.schott.com/lightingimaging/english/contact