



ACT Base

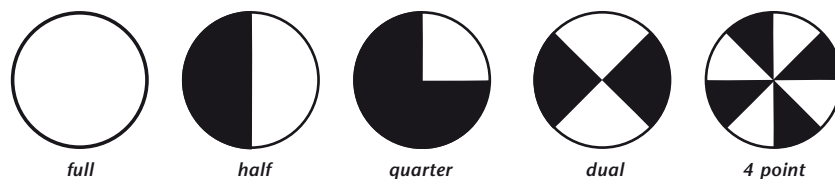
VisiLED ACT Base (Advanced Contrast Transmitted)

Illumination system specially developed for stereo microscopy and macroscopy applications.

- A combination of transmitted light brightfield and darkfield illuminations.
- Settable as shadowfree or as oblique light illuminations.
- Additionally two mechanical diaphragms enable a high end relief contrast for low-structured transparent samples.

Features

- Easily adaptable to microscope bases.
- Homogeneous illumination.
- Best white quality: typically 6,000 K.
- Long operating life: typically 50,000 h by actively controlling the LED chip temperature.
- Segments controllable in different present modes for optimum contrasting:



- Manufactured in the EU.

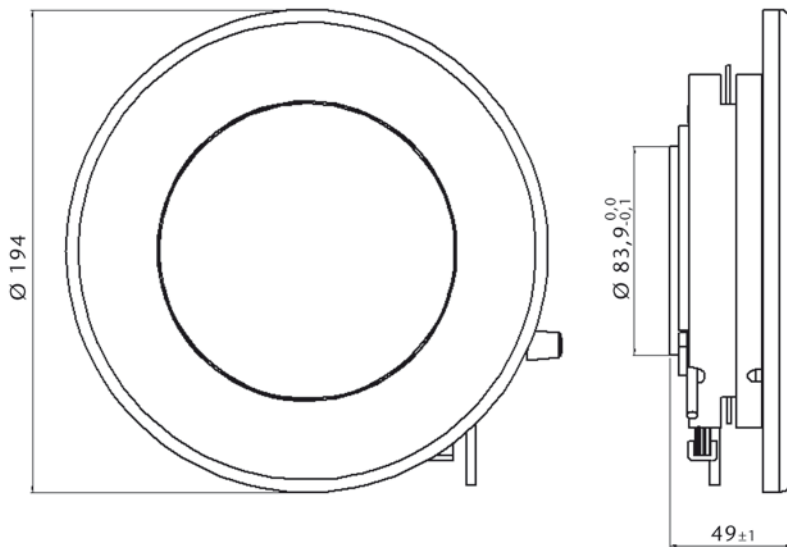
Benefits

- Examining structures of low contrast, uncolored specimen.
- Phasing specimen that are scarcely recognizable in direct brightfield.

VisiLED ACT Base				
Part. No.	Max. Luminance	Inner Ø	Outer Ø	Dimensions
400 600	8000 cd/m ² in center	active 50 mm (1.97")	84 mm (3.36")	Ø 193 x 48 mm (Ø 7.12 x 1.92")

Product improvements may result in specification or feature changes without notice.

VisiLED ACT Base



Lighting and Imaging
SCHOTT AG
Otto-Schott-Strasse 2
55127 Mainz
Germany

Phone: +49 (0)6131/66-7796
Fax: +49 (0)6131/66-7850
lightingimaging@schott.com
www.schott.com/lightingimaging

For your local sales contact please visit
www.schott.com/lightingimaging/english/contact

SCHOTT
glass made of ideas