

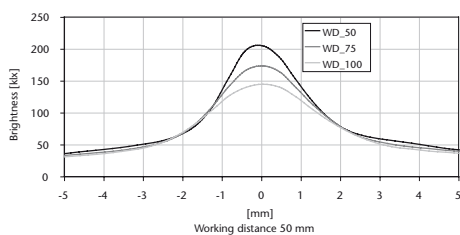
COB High Brightness (HB) LED Light Line

Customized HB LED Light Lines high power Chip On Board (COB) LEDs

Standard Features:

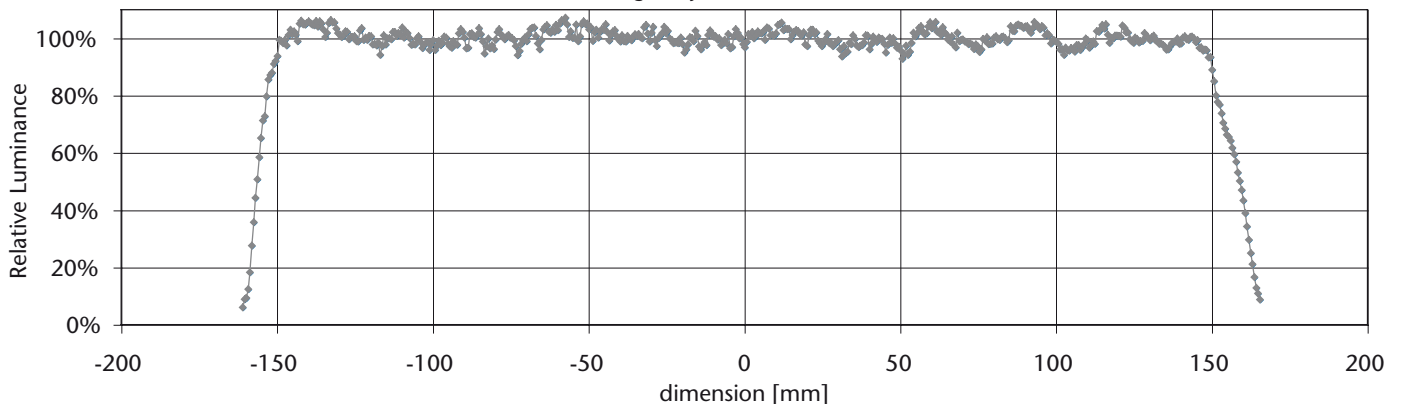
- White, red or blue high power Chip On Board (COB) LEDs
- Either active air-cooling or water-cooling. Continuous control of the LED board temperature prevents an overheating of the individual LEDs and thus ensures a safe operation of the HB LED Light Line.
- Design concept allows lengths of 300 mm to 3000 mm in increments of 150 mm.
- No interference with CCD cameras due to constant current control
- 0–5 V brightness control input.
- Board temperature read out on separate connector
- TTL Trigger Input
- The LED boards can be custom tailored to most specific applications, even in regard to other color requirements. It also allows a future upgrade to even higher performance LEDs once they become available.
- The HB LED Light Line's acrylic cylindrical lens is integrated into the housing, and can be adjusted to modify the working distance between 50 mm and 100 mm.
- The mechanical design is based on extruded side profiles that integrate MayTec profile grooves along the sides of the slim housing, allowing an easy and flexible mounting into manufacturing lines.

Cross Section of Line Profile for COB Red



Input voltage	24 V DC \pm 2%		
Power consumption	300 mm module: 450 mm module:	Air-cooled max. 72 W max. 108 W	Water-cooled max. 120 W max. 180 W
Current	300 mm module: 450 mm module:	max. 3.0 A max. 4.5 A	max. 5.0 A max. 7.5 A
Brightness	White LEDs: Red LEDs: at the center of the Light Lines (working distance 100 mm)	200 klx at 72 W per 300 mm module 150 klx at 72 W per 300 mm module	
LED color	White: Red:	Color temperature 5000 K to 5650 K 627 nm, $\Delta\lambda$ 1/2 20 nm	
Homogeneity	\pm 10%, typically \pm 5%		
Storage conditions	Temperature: +5 °C ... +35 °C		Humidity: <70%
Operating conditions	Temperature: +5 °C ... +35 °C no dust or oil saturated ventilation air		Humidity: <70%
Approvals	CE and ETL according to Standard EN 61010, ROHS compliant		

Reference homogeneity of 300 mm COB LL red and white



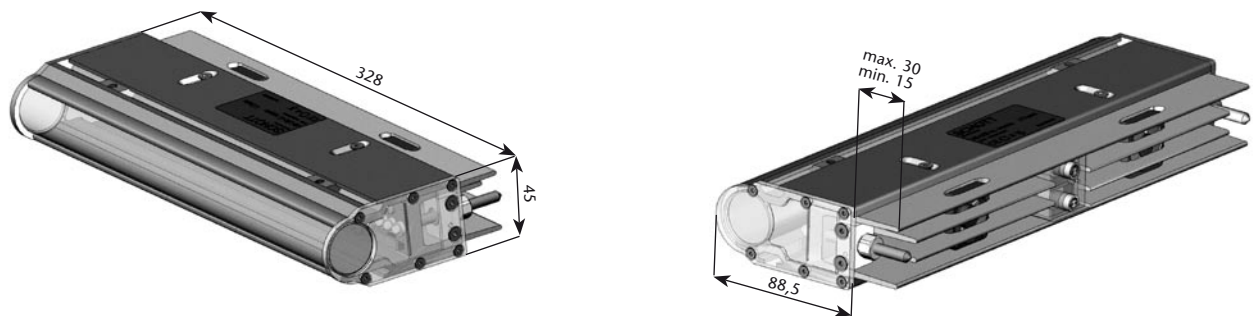
COB High Brightness (HB) LED Light Line

Customized HB LED Light Lines high power Chip On Board (COB) LEDs

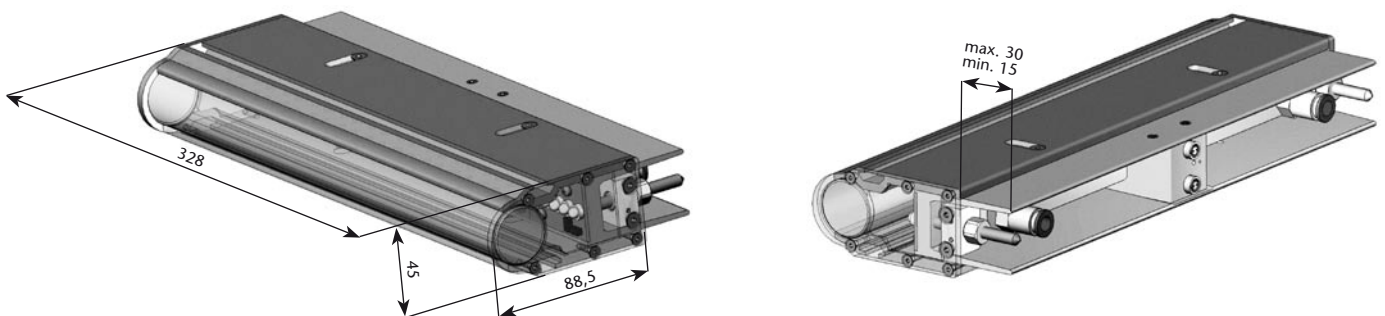
For lengths please refer to SMD High Brightness (HB) LED Light Line.

Depending on the LED type and the operating parameters the modular heat sink concept has an active air-cooling or a water-cooling.

Air-cooled



Water-cooled



Dimension specifications for a 300 mm module

Fiber Optics
SCHOTT AG
Otto-Schott-Strasse 2
55127 Mainz
Germany
Phone: +49 (0)6131/66-7752
Fax: +49 (0)6131/66-7850
fiberoptics.info@schott.com
www.schott.com/fiberoptics

SCHOTT
glass made of ideas