



LLS - LLS Light Source, A20950

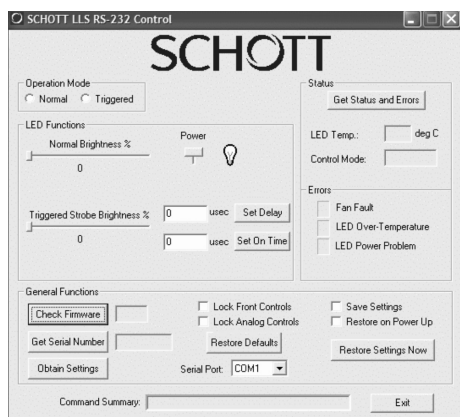


LLS - LLS Light Source, A20950. Rear View shows (from L to R): universal power input, multi-port input, USB 2.0 input, RS-232 input

Hybrid Solution Pairs LEDs with Fiber Optics

The LLS offers users 4 different types of control interfaces - a continuous intensity control knob, USB 2.0, RS-232 or analog 0-5 Volt.

The auto-sensing inputs eliminate the need to switch manually between the modes. The unit also features a user control lock-out via the USB and RS-232 SCHOTT supplied software.



LLS - LED Light Source

Longer Life, Lower Energy Consumption

Standard Features

- Long life-time (50,000 hours)
- Fits all COLDVision light guides
- Fast strobing capabilities (maximum 1 kHz pulse rate, maximum pulse width 1 msec, duty 1/10)
- Low power consumption (less than 15 watts)
- Better immunity to vibration and shock
- Instantaneous switching
- Small footprint and worldwide universally compatible power supply with interchangeable plugs
- RoHS compliant
- CE and ELT Approved

Characteristics

Dimensions	Length 197 mm (7.75 in) Width 129 mm (5.08) Height 63 mm (2.48 in)
Weight	862 grms (1.9 lbs)
Operating Temperature	-20° C (4° F) to 40° C (104° F)
Color Temperature - White	6000K

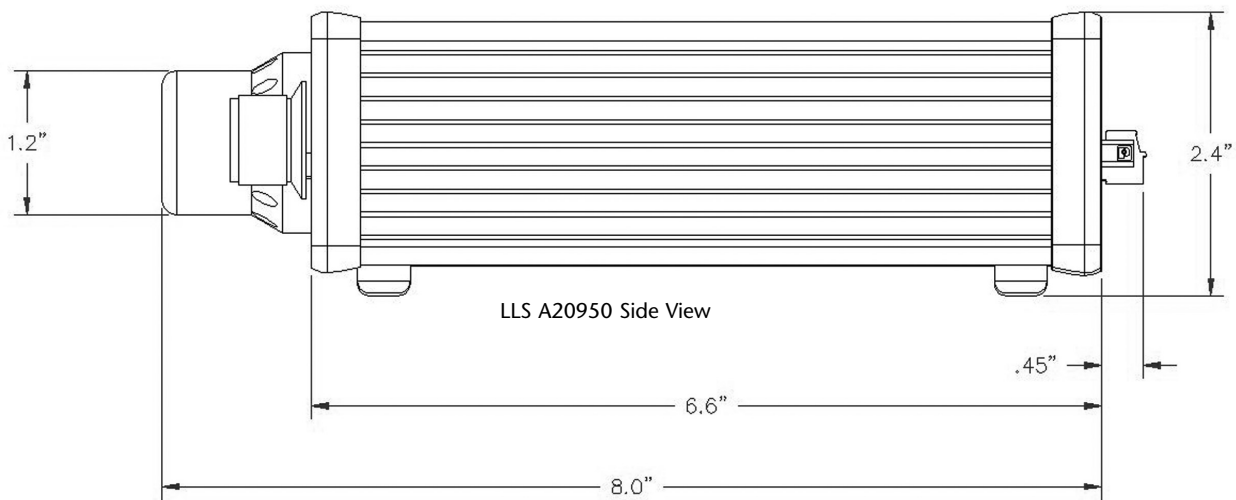
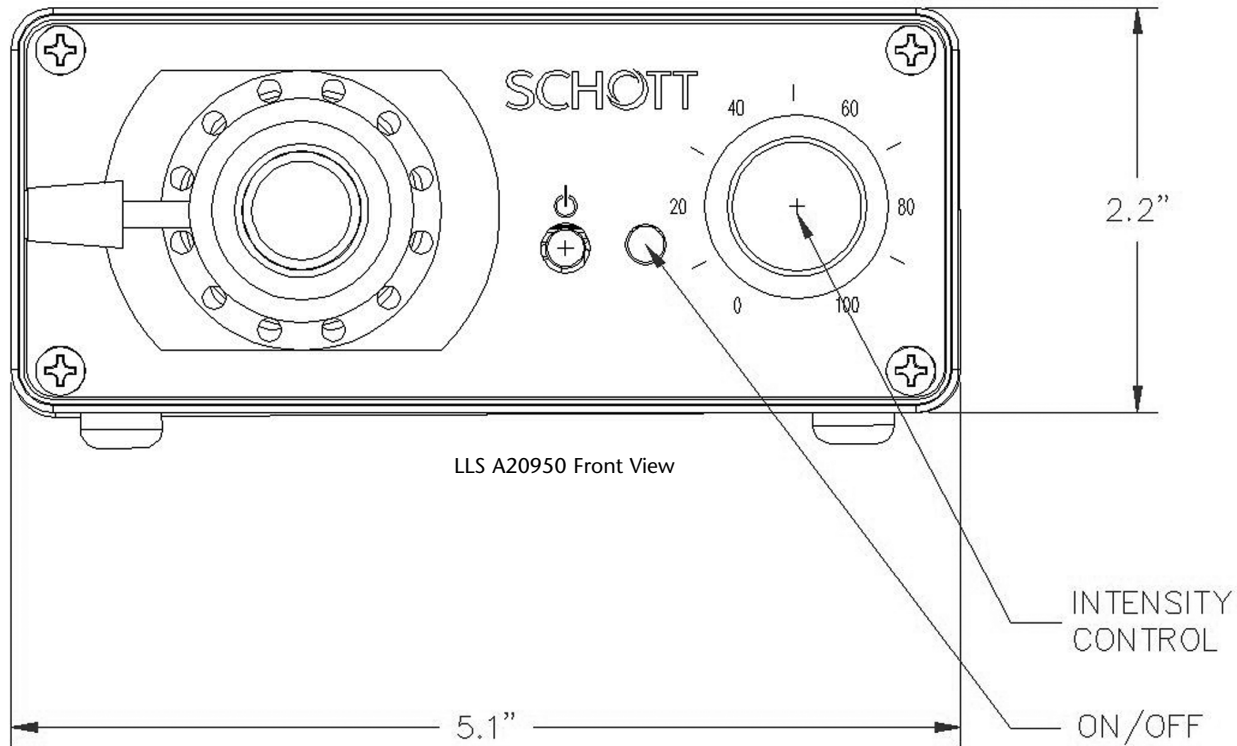
SCHOTT LLS Technical Information

Part No.	Color	Wavelength (nm) (+/- bandwidth 20 nm)	Light Output
A20950	Red	625	65 lm
A20950.1	White	---	130 lm
A20950.2	Green	525	100 lm
A20950.4	Blue	470	40 lm
A20955	Mounting Bracket		

LLS - LED Light Source

Dimensions in () are in mm

Product improvements may result in specification or feature changes without notice.



Fiber Optics

SCHOTT AG

Otto-Schott-Str. 2

55127 Mainz

Germany

Phone: +49 (0) 6131/66-7752

Fax: +49 (0) 6131/66-7850

E-mail: fiberoptics.info@schott.com

www.schott.com/fiberoptics

SCHOTT
glass made of ideas