



KL 200 LED

- LED light engine.
- Wide range power supply (100–240 V, 50–60 Hz) with international clip plug system.
- Convection cooling (no fan).
- Continuous dimming from 0 to 100%.
- Mountable direct to microscope stands via respective adaptors or usable as standallone.
- Wide range of accessories available (KL 200 series).
- **Approvals:**
The KL 200 LED is in compliance with the CE regulations.
(Power supply: CE, UL, PSE)
- Manufactured in the EU.

| Mounting adaptors | |
|---|---------|
| for microscope and swinging arm stands | |
| bracket for column Ø 25 mm (0.98") | 120 225 |
| bracket for column Ø 29 mm (1.14") | 120 229 |
| bracket for column Ø 32 mm (1.26") | 120 232 |
| bracket for column Ø 35 mm (1.38") | 120 235 |
| for standalone application | |
| Base stand | 158 340 |
| Mounting bracket | 120 250 |

Note: Mounting adaptors must be ordered separately!

KL 200 LED

compact and bright

The KL 200 LED is a fiber optic routine light source with a LED light engine, developed and designed for industrial and life science applications in Stereo Microscopy and Macroscopy.

The brightness is equivalent to a 20-watt halogen cold light source.

All advantages of LED light sources,

- *no bulb changing*
- *low energy consumption*
- *ripple free DC illumination*
- *white light (daylight)*

are combined with the main advantages of fiber optics,

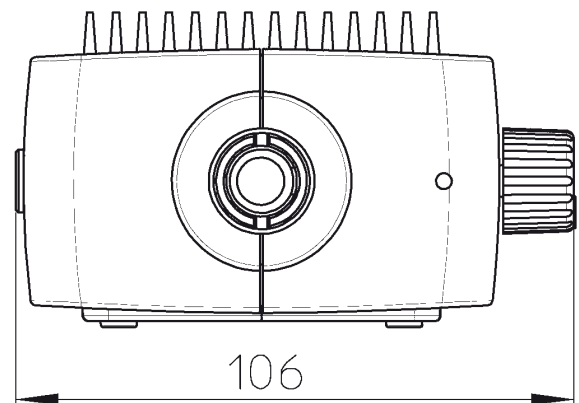
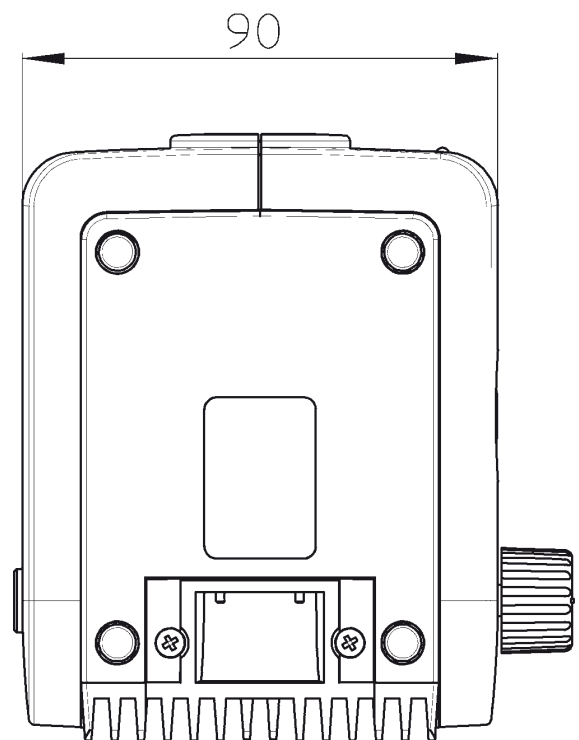
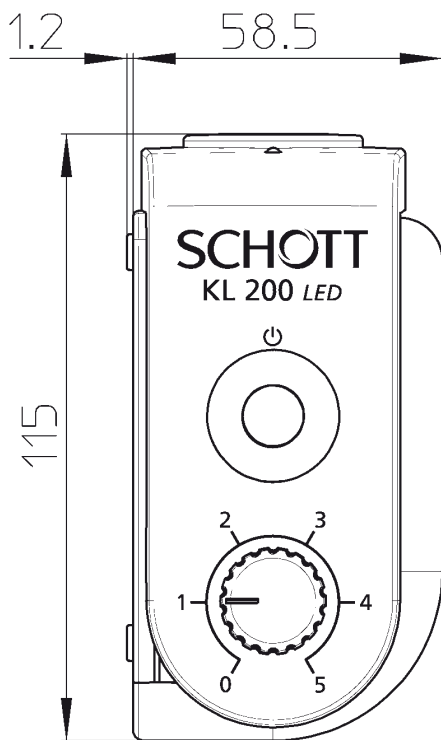
- *significantly higher light intensity focused to a small field of view*
- *high flexibility of light and illumination techniques*

for an outstanding price performance ratio.

| KL 200 LED | | |
|------------------------------|-------------|-----------------------------------|
| General data | | |
| Part-No. | | 120 200 |
| Dimensions (W x D x H) | (mm)/(inch) | 106 x 114 x 59/4.2" x 4.5" x 2.3" |
| Weight | (kg) | Approx. 0.35 |
| Cooling | | Convection |
| Electrical data | | |
| Operating voltage, frequency | | 100–240 V ~, 50–60 Hz |
| Power consumption | (VA) | Max. 5 |
| Protection class | | II |
| Overvoltage category | | II |
| Diode | | LED, Luxeon Rebel |
| LED power rating | (W) | 3 |
| LED life time | (h) | 50,000 |
| Illumination data | | |
| Light flux | (lm) | 50 |
| Color temperature | (K) | Approx. 5,600 |
| Light control | | Electrical |
| Active light guide diameter | (mm)/(inch) | Max. 6/max. 0.23" |
| Certification marks | | |
| Approvals | | CE (power supply: CE, UL, PSE) |
| EMV-class | | B |

Product improvements may result in specification or feature changes without notice.

KL 200 LED



Lighting and Imaging
SCHOTT AG
Otto-Schott-Strasse 2
55127 Mainz
Germany

Phone: +49 (0)6131/66-7796
Fax: +49 (0)6131/66-7850
lightingimaging@schott.com
www.schott.com/lightingimaging

For your local sales contact please visit
www.schott.com/lightingimaging/english/contact

SCHOTT
glass made of ideas