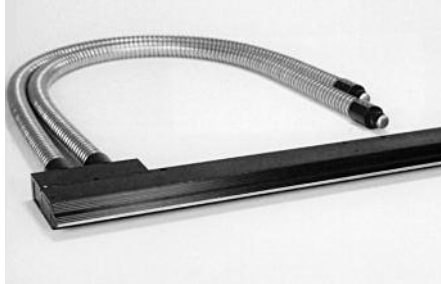


A08940



Continuous Lightline, A08940

A08964



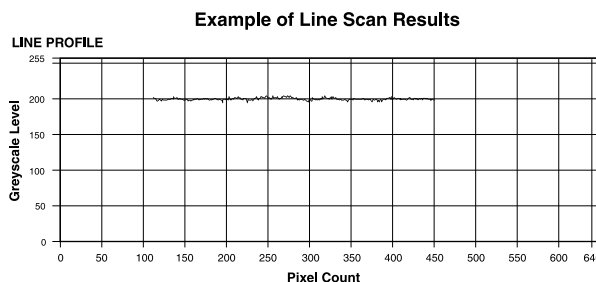
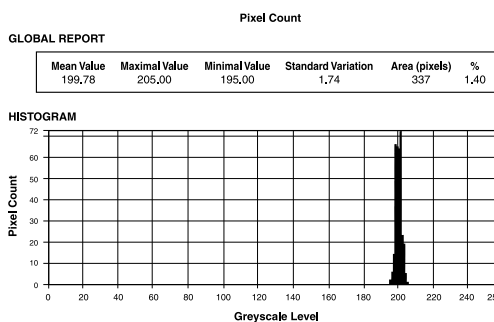
Continuous Lightline, A08964

## Spatially Randomized Lightlines

A patented exclusive! 24" and 40" lines of white light for web and line scanning applications.

### Features

- Manufactured using a patented process called spatial randomization. The process allows light from each input to be distributed over the entire length of the line. Therefore, should a light source fail while using multiple inputs, intensity is evenly reduced over the length of the line, rather than losing all light in a section of the line.
- Calibrated to  $\pm 15$  gray scale levels at a mean of 200 with a gamma setting of 1.0 to deliver optimum uniformity. Refer to section 25.02.01 for information on uniformity of fiber optic products.
- Assembly method accurately positions the fiber line within the body on all three planes, to a tolerance of  $\pm .004$ " (.1)\*. The technique assures the fiber axis will be parallel with the mounting surface of the body.
- Standard input ferrule fits ColdVision Series light sources. Can also be used with strobes.
- The 24" (610) lightline accepts our dichroic filters and diffusers. To use color filters on the 40" (1016) line, part number A08931, color filter adapter, is required.
- Rugged aluminum body with a black anodized finish.
- Stainless steel tubing protects the fiber bundle.
- Custom lengths, bundle exits, and line widths can be designed for your unique requirements.
- Lead-time may be required when ordering continuous lightlines and/or any custom configuration of these products.
- Cylindrical lenses are available. They are designed to collect light exiting the lightline to increase intensity up to a factor of 10.
- Custom configurations can be engineered for unique requirements.



### Lightlines and Lenses

Part No.	Line Dimensions	Input Active Fiber Dia.	Gray Scale Uniformity	Bundle Length	Part No. for Lens	
	Length x Width				Cylindrical	Apertured
<b>A08940</b>	40"x.015" (1016x.38)	.62" (16)*	$\pm 15$	30" (762)	A08860	Custom
<b>A08964</b>	24"x.022" (610x.56)	.57" (14)	$\pm 15$	40" (1016)	A08864	Custom

# Spatially Randomized Lightlines

Dimensions in ( ) are in mm

Product improvements may result in specification or feature changes without notice.

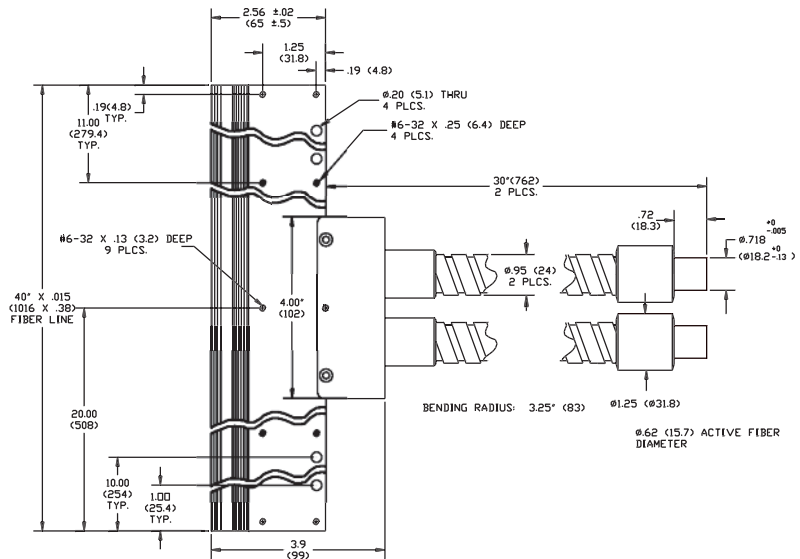
**Input:** Black Anodized Aluminum

**Body:** Black Anodized Aluminum

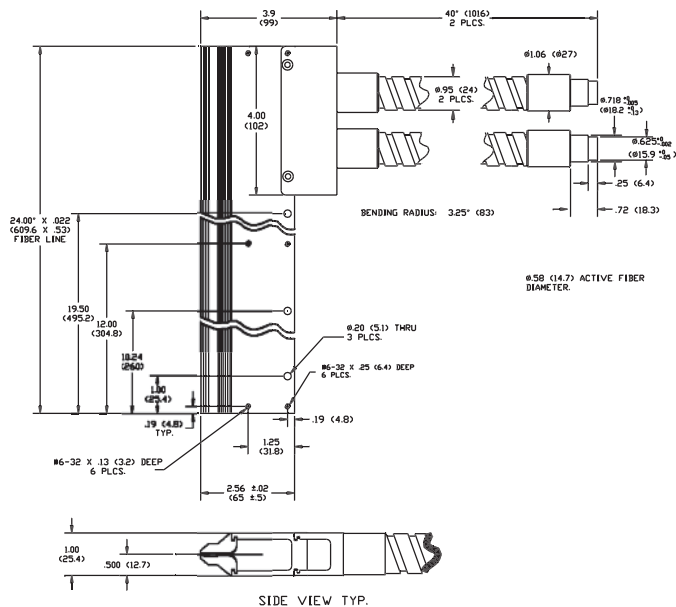
**Sheathing:** Stainless Steel Covered Metal Tubing

**Warning:** This product is manufactured with glass fiber. Not for use in cable/hose carrier. Call SCHOTT to discuss moving cable/hose carrier applications.

**A08940**  
40" (1016) Lightline



**A08964**  
24" (610) Lightline



Lighting and Imaging

**SCHOTT AG**

Otto-Schott-Str. 2

55127 Mainz

Germany

Phone: +49 (0) 6131/66-7752

Fax: +49 (0) 6131/66-7850

E-mail: [lightingimaging@schott.com](mailto:lightingimaging@schott.com)

[www.schott.com/lightingimaging](http://www.schott.com/lightingimaging)

**SCHOTT**  
glass made of ideas